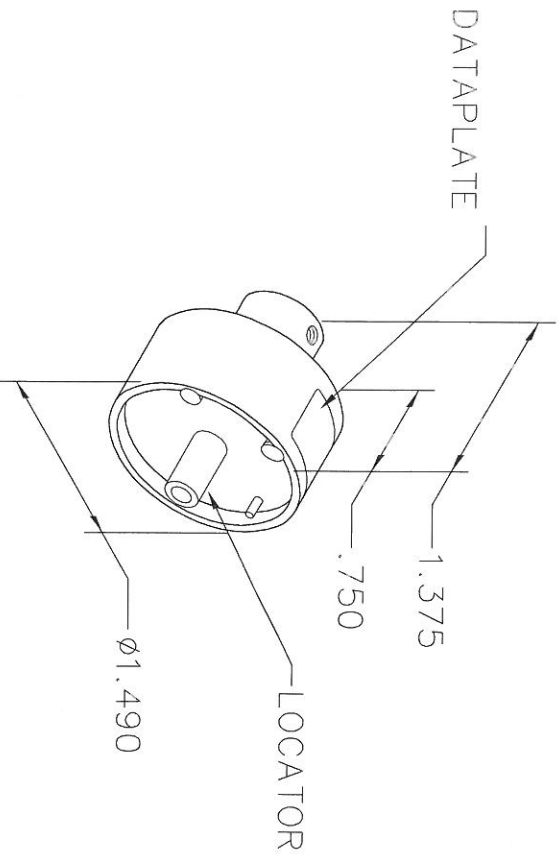


REVISIONS				
REV. SYM.	E.C.O. NUMBER	DESCRIPTION	BY DATE	APP'D DATE
1		ORIGINAL RELEASE	DVC 1-31-95	AAM 1-31-95
2		Ø.312 WAS .311. ADDED SEL 6.	AAM 2-9-99	RRR 2-9-99



**UNCONTROLLED DOCUMENT
WILL NOT BE UPDATED**

DIMENSIONS IN INCHES - UNLESS OTHERWISE SPECIFIED

CONTACT	10	8	WIRE SIZE
JUPITER M-8-MS K-8-MS	4	6	SELECTOR NUMBER
USE WITH M300BT			

DATAPLATE

LOCATOR	
HOLE DIMENSIONS	ADDITIONAL FEATURES
∅.265	└┘ ∅.312
∇ 1.114 MIN.	∇ .234

RESTRICTED & CONFIDENTIAL

CONFIDENTIAL PROPERTY OF DANIELS MANUFACTURING CORP. NOT TO BE DISCLOSED TO OTHERS, REPRODUCED OR USED FOR ANY OTHER PURPOSE, EXCEPT AS AUTHORIZED IN WRITING BY DANIELS MANUFACTURING. MUST BE RETURNED TO DANIELS MANUFACTURING CORP. ON COMPLETION OF ORDER OR OTHER PURPOSE FOR WHICH LENT.

DO NOT SCALE DRAWING

DRN. DUNG CAO	DATE 1-31-95	TITLE	
CHK'D. AAM	DATE 1-31-95	ENVELOPE DRAWING SINGLE POSITION HEAD	
APP'D. DATE	DATE	WHERE USED: M300BT	
NOTE: THIS DRAWING IS AN OUTLINE DRAWING OF THE RESPECTIVE DMG PART NUMBER INDICATED. ACTUAL DMG PART NUMBER IS CAD PART NUMBER WITHOUT THE "-ENV" SUFFIX.		SIZE A	SCALE NONE
		CAD P/N TP905-ENV	SHEET 1 OF 1
		DWG. NO. TP905	REV. 2
		DANIELS MANUFACTURING CORP. ORLANDO, FLORIDA CAGE 11851	