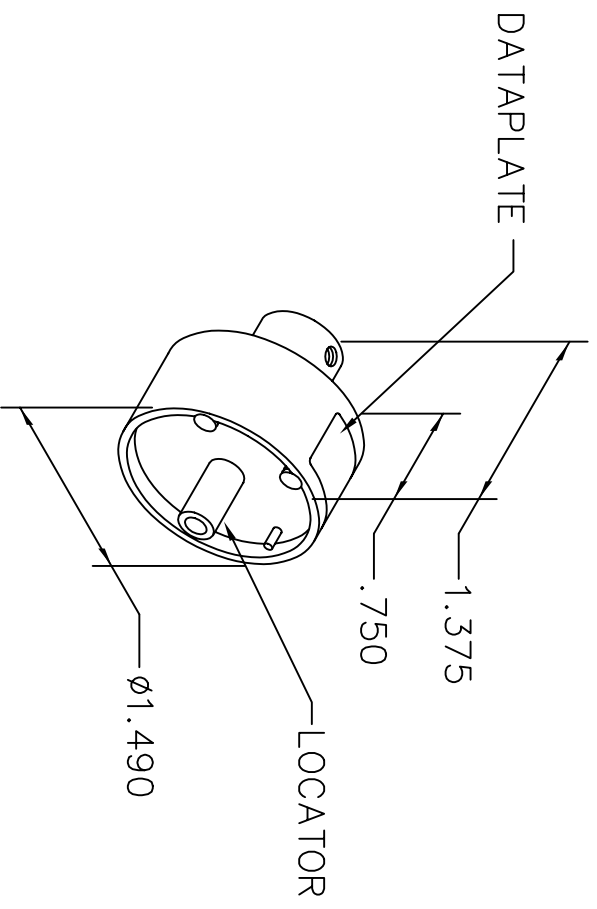


REVISIONS				
REV. SYM.	E.C.O. NUMBER	DESCRIPTION	BY DATE	APP'D DATE
1		ORIGINAL RELEASE	AAM 3-29-00	RRR 3-29-00
2		.191 WAS .187, .634 WAS .619, .46 WAS .420	AAM 8-2-00	RRR 8-2-00

**UNCONTROLLED DOCUMENT
WILL NOT BE UPDATED**



CORY CONTACT	FCT CONTACT	18	16	14	12	10	8	WIRE
CMP002-(P&S)103	FMP002(P&S)13	2	3					
CMP003-(P&S)103	FMP003(P&S)13			3	4			SEL NO.
CMP004-(P&S)103	FMP004(P&S)13					5	6	

USE WITH M309


DATAPLATE

LOCATOR	
HOLE DIMENSIONS	ADDITIONAL FEATURES
∅.191 ∇.634	L ∅.234 ∇.46

RESTRICTED & CONFIDENTIAL

CONFIDENTIAL PROPERTY OF DANIELS MANUFACTURING CORP. NOT TO BE DISCLOSED TO OTHERS, REPRODUCED OR USED FOR ANY OTHER PURPOSE, EXCEPT AS AUTHORIZED IN WRITING BY DANIELS MANUFACTURING. MUST BE RETURNED TO DANIELS MANUFACTURING CORP. ON COMPLETION OF ORDER OR OTHER PURPOSE FOR WHICH LENT.

DO NOT SCALE DRAWING

DRN. A. MOO-YOUNG	DATE 3-29-00	 DANIELS MANUFACTURING CORP. ORLANDO, FLORIDA CAGE 11851	TITLE	
CHK'D. RRR	DATE 3-29-00		ENVELOPE DRAWING SINGLE POSITION HEAD	
APP'D.	DATE			
NOTE: THIS DRAWING IS AN OUTLINE DRAWING OF THE RESPECTIVE DMC PART NUMBER INDICATED. ACTUAL DMC PART NUMBER IS DRAWING NUMBER WITHOUT THE "-ENV" SUFFIX.		WHERE USED: M309	CAD P/N	SHEET OF
			TP884-ENV	1 1
			DWG. NO.	REV.
			TP884-ENV	2