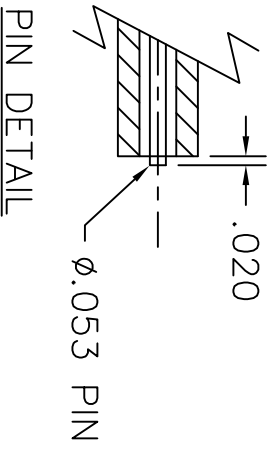
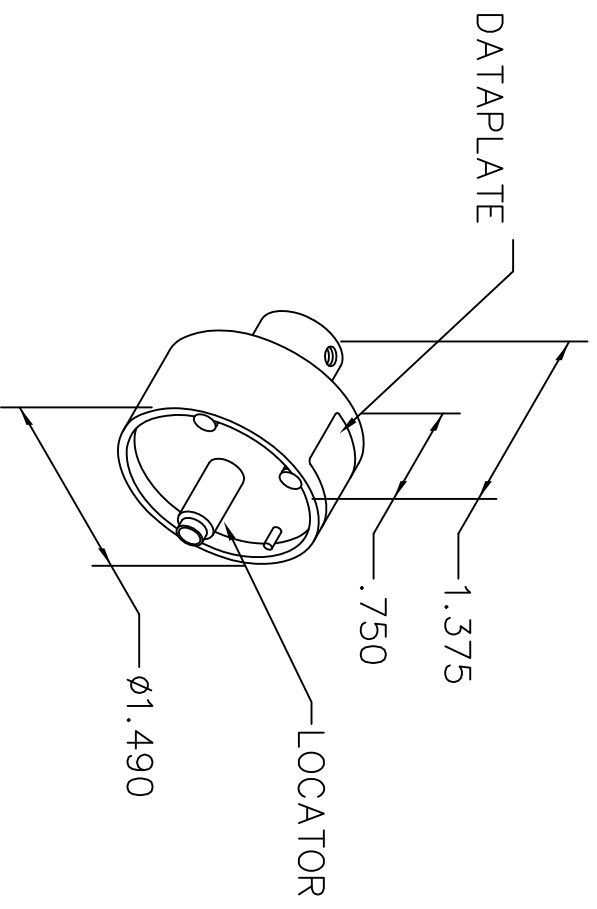


REVISIONS				
REV. SYM.	E.C.O. NUMBER	DESCRIPTION	BY DATE	APP'D DATE
1		ORIGINAL RELEASE	JWJ 7-12-07	RRR 7-12-07

**UNCONTROLLED DOCUMENT  
WILL NOT BE UPDATED**



CONTACT	SIZE 16 SOLID WIRE
SUNDBRAND AVIATION	SEL. NO. 3
5905143	
USE WITH M316	

DATAPLATE

LOCATOR	
HOLE DIMENSIONS	ADDITIONAL FEATURES
∅ .266 ∓ .40	INTERNAL ∅.053 PIN

**RESTRICTED & CONFIDENTIAL**

CONFIDENTIAL PROPERTY OF DANIELS MANUFACTURING CORP. NOT TO BE DISCLOSED TO OTHERS, REPRODUCED OR USED FOR ANY OTHER PURPOSE, EXCEPT AS AUTHORIZED IN WRITING BY DANIELS MANUFACTURING. MUST BE RETURNED TO DANIELS MANUFACTURING CORP. ON COMPLETION OF ORDER OR OTHER PURPOSE FOR WHICH LENT.

**DO NOT SCALE DRAWING**

DRN.	J. JOYCE	DATE	7-12-07
CHK'D.	RRR	DATE	7-12-07
APP'D.		DATE	
APP'D.		DATE	

NOTE: THIS DRAWING IS AN OUTLINE DRAWING OF THE RESPECTIVE DMC PART NUMBER INDICATED. ACTUAL DMC PART NUMBER IS DRAWING NUMBER WITHOUT THE "-ENV" SUFFIX.

WHERE USE:

SIZE	SCALE	CAD P/N	SHEET	OF
A	NTS	TP831S-ENV	1	1

DWG. NO. TP831S-ENV

REV. 1

**DMC** DANIELS MANUFACTURING CORP.  
ORLANDO, FLORIDA  
CAGE 11851

TITLE  
SINGLE POSITION HEAD  
ENVELOPE DRAWING