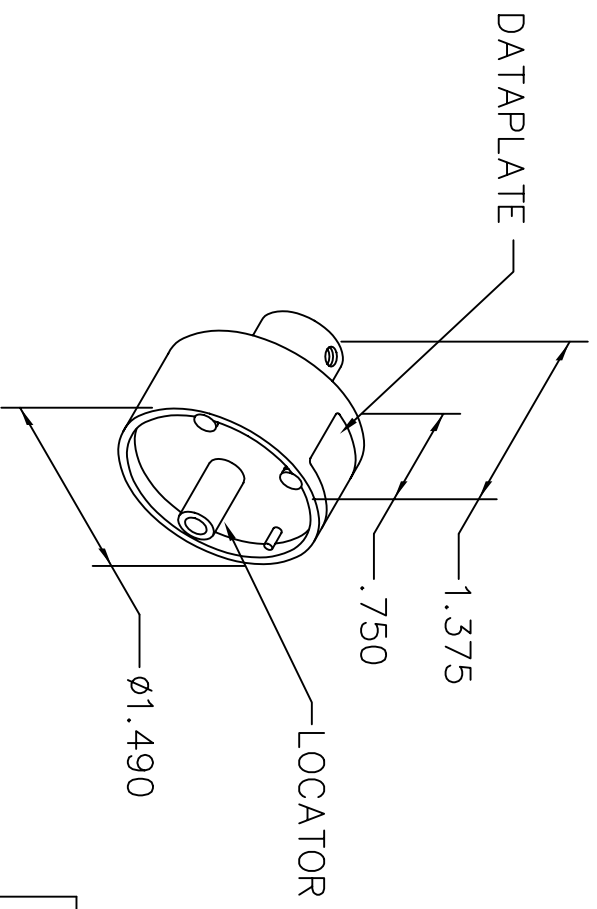


REVISIONS				
REV. SYM.	E.C.O. NUMBER	DESCRIPTION	BY DATE	APP'D DATE
1		ORIGINAL RELEASE	AAM 2-17-99	RRR 2-17-99

**UNCONTROLLED DOCUMENT
WILL NOT BE UPDATED**



CANNON		24	22	20	18	WIRE SIZE
DMA51443-1						
031-1007-001		2	4	5	6	SEL. NO.
031-1007-019						

DATAPLATE

LOCATOR	
HOLE DIMENSIONS	ADDITIONAL FEATURES
∅.078 ∓.750	L ∅.089 ∓.275

RESTRICTED & CONFIDENTIAL

CONFIDENTIAL PROPERTY OF DANIELS MANUFACTURING CORP. NOT TO BE DISCLOSED TO OTHERS, REPRODUCED OR USED FOR ANY OTHER PURPOSE, EXCEPT AS AUTHORIZED IN WRITING BY DANIELS MANUFACTURING. MUST BE RETURNED TO DANIELS MANUFACTURING CORP. ON COMPLETION OF ORDER OR OTHER PURPOSE FOR WHICH LENT.

DO NOT SCALE DRAWING

DRN. A. MOO-YOUNG	DATE 2-17-99	TITLE		WHERE USED:	CAD P/N	SHEET	REV.
CHK'D. RRR	DATE 2-17-99	ENVELOPE DRAWING SINGLE POSITION HEAD		SIZE A	TP763-ENV	1 OF 1	1
APP'D.	DATE	NOTE: THIS DRAWING IS AN OUTLINE DRAWING OF THE RESPECTIVE DMC PART NUMBER INDICATED. ACTUAL DMC PART NUMBER IS DRAWING NUMBER WITHOUT THE "-ENV" SUFFIX.		SCALE NTS	TP763-ENV		
APP'D.	DATE			POSTING	TP763-ENV		

DMC DANIELS MANUFACTURING CORP.
ORLANDO, FLORIDA
CAGE 11851