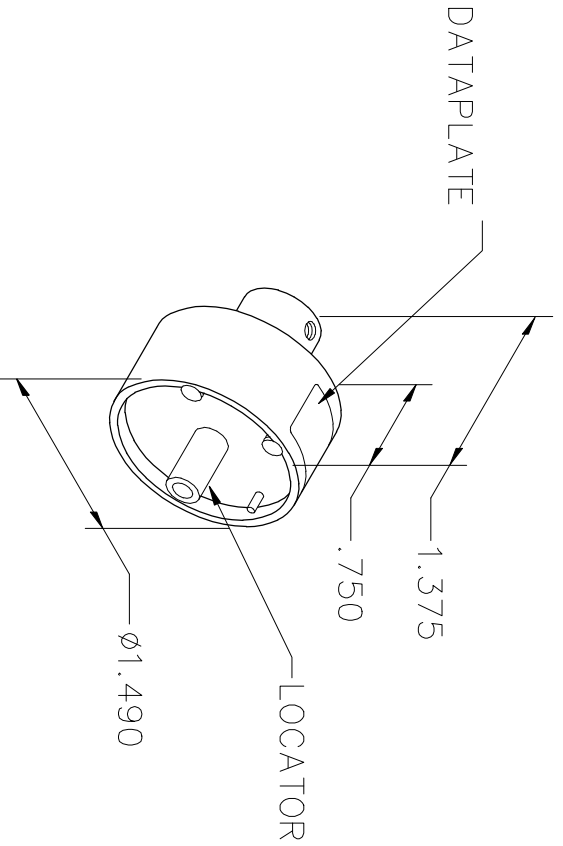


REVISIONS				
REV. SYM.	E.C.O. NUMBER	DESCRIPTION	BY DATE	APP'D DATE
1		REDRAWN	BY 11-13-86	MS 11-13-86



CONTACT	WIRE	SEL. NO.
BENDIX 10-700466	14	5
USE WITH M309 CRIMPING TOOL		

DATAPLATE

LOCATOR	ADDITIONAL FEATURES
HOLE DIMENSIONS	 $\varnothing .214$
	$\varnothing .169$ $\nabla .450$

**RESTRICTED & CONFIDENTIAL**

CONFIDENTIAL PROPERTY OF DANIELS MANUFACTURING CORP. NOT TO BE DISCLOSED TO OTHERS, REPRODUCED OR USED FOR ANY OTHER PURPOSE, EXCEPT AS AUTHORIZED IN WRITING BY DANIELS MANUFACTURING. MUST BE RETURNED TO DANIELS MANUFACTURING CORP. ON COMPLETION OF ORDER OR OTHER PURPOSE FOR WHICH LENT.

DO NOT SCALE DRAWING

DRN.	BY	DATE
CHK'D.	MS	11-13-86
APP'D.	AAM	11-18-86
APP'D.		12-1-86

NOTE:  
THIS DRAWING IS AN OUTLINE DRAWING OF THE RESPECTIVE DMC PART NUMBER INDICATED. ACTUAL DMC PART NUMBER IS DRAWING NUMBER WITHOUT THE "-ENV" SUFFIX.



DANIELS MANUFACTURING CORP.  
ORLANDO, FLORIDA  
CAGE 11851

TITLE  
ENVELOPE DRAWING  
SINGLE POSITION HEAD

WHERE USED: M309	CAD P/N	SHEET	OF
SIZE A	TP740-ENV	1	1
SCALE NONE	TP740-ENV		
POSTING	DWG. NO. TP740-ENV	REV.	1