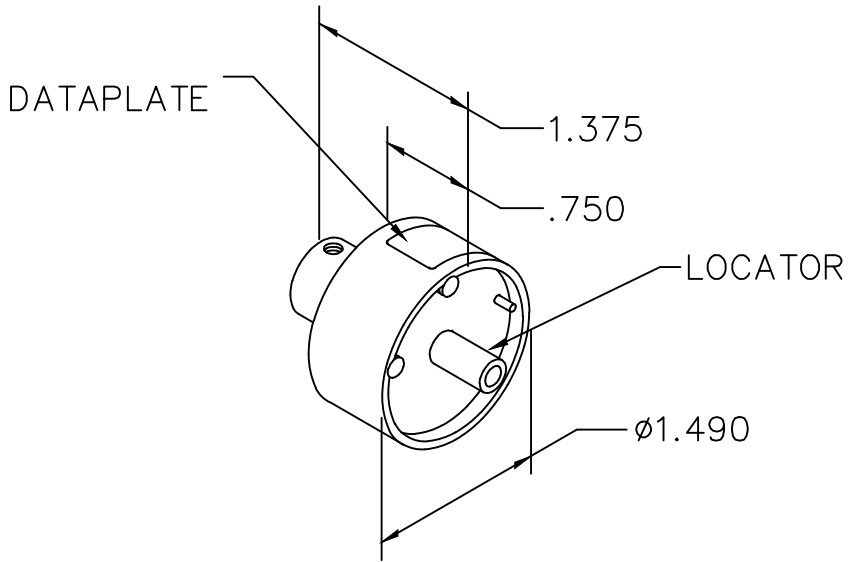



REVISIONS				
REV. SYM.	E.C.O. NUMBER	DESCRIPTION	BY DATE	APP'D DATE
2		TOOL CORRECTED TO FT8	ENF 5-30-13	RRR 5-30-13



AMP AMPLIMITE CONTACT	16	18	WIRE SIZE
212013-1 212014-1	8	6	SEL. NO.

DATAPLATE

LOCATOR	
HOLE DIMENSIONS	ADDITIONAL FEATURES
$\phi$ .228 $\nabla$ .606	

<b>RESTRICTED &amp; CONFIDENTIAL</b>		 <b>DANIELS MANUFACTURING CORP.</b> ORLANDO, FLORIDA CAGE 11851	
CONFIDENTIAL PROPERTY OF DANIELS MANUFACTURING CORP. NOT TO BE DISCLOSED TO OTHERS, REPRODUCED OR USED FOR ANY OTHER PURPOSE, EXCEPT AS AUTHORIZED IN WRITING BY DANIELS MANUFACTURING. MUST BE RETURNED TO DANIELS MANUFACTURING CORP. ON COMPLETION OF ORDER OR OTHER PURPOSE FOR WHICH LENT.		<b>NOTE:</b> THIS DRAWING IS AN OUTLINE DRAWING OF THE RESPECTIVE DMC PART NUMBER INDICATED. ACTUAL DMC PART NUMBER IS DRAWING NUMBER WITHOUT THE "-ENV" SUFFIX.	
DO NOT SCALE DRAWING		<b>TITLE</b> ENVELOPE DRAWING SINGLE POSITION HEAD WHERE USED: FT8	
		SIZE: A SCALE: NTS	CAD P/N: TP731-ENV SHEET 1 OF 1
		DWG. NO.: TP731-ENV	REV. 2