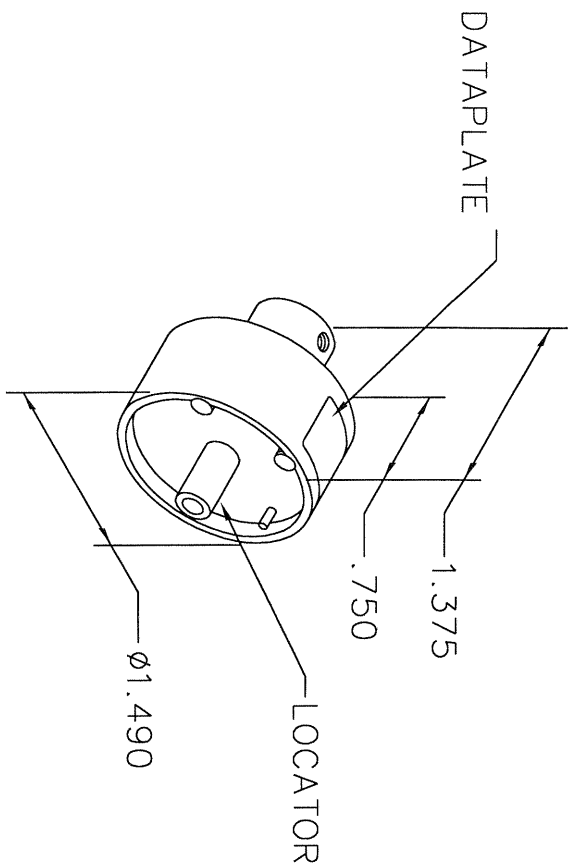


REVISIONS				
REV. SYM.	E.C.O. NUMBER	DESCRIPTION	BY DATE	APP'D DATE
1		ORIGINAL RELEASE	11/29/07	

**UNCONTROLLED DOCUMENT
WILL NOT BE UPDATED**



REF.	0,38	0,60	0,93	1,34	1,91	SECTION mm ²
	62133	5	5			SELECT
	62619					
	57887					
	62691		6	7	7	NO.

POUR USAGE AVEC M22520/1-01 OUTILS DE BASE

DATAPLATE

LOCATOR	
HOLE DIMENSIONS	ADDITIONAL FEATURES
Ø .142 ▽ .374	L □ Ø.213 ▽ .275

RESTRICTED & CONFIDENTIAL

CONFIDENTIAL PROPERTY OF DANIELS MANUFACTURING CORP. NOT TO BE DISCLOSED TO OTHERS, REPRODUCED OR USED FOR ANY OTHER PURPOSE, EXCEPT AS AUTHORIZED IN WRITING BY DANIELS MANUFACTURING. MUST BE RETURNED TO DANIELS MANUFACTURING CORP. ON COMPLETION OF ORDER OR OTHER PURPOSE FOR WHICH LENT.

DRN. <i>George Dilworth</i>	DATE
CHK'D.	11/29/07
APP'D.	DATE
APP'D.	DATE

DMC DANIELS MANUFACTURING CORP.
ORLANDO, FLORIDA
CAGE 11851

TITLE: ENVELOPE DRAWING
SINGLE POSITION HEAD

WHERE USED: CAD P/N TP713-ENV
SIZE A SCALE NTS SHEET 1 OF 1
POSTING P/N TP713-ENV REV. 1

NOTE: THIS DRAWING IS AN OUTLINE DRAWING OF THE RESPECTIVE DMC PART NUMBER INDICATED. ACTUAL DMC PART NUMBER IS DRAWING NUMBER WITHOUT THE "-ENV" SUFFIX.