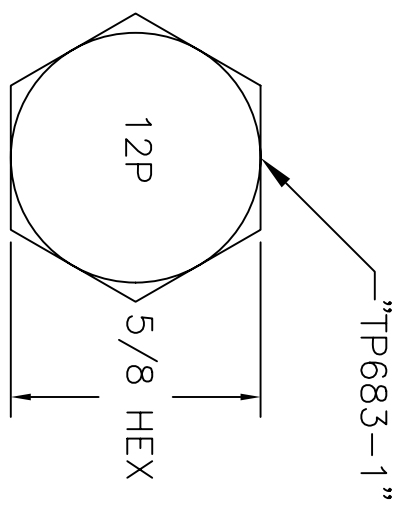
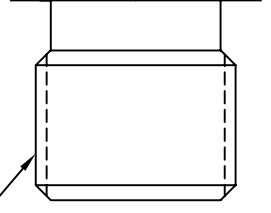


REVISIONS				
REV. SYM.	E.C.O. NUMBER	DESCRIPTION	BY DATE	APP'D DATE
1		ORIGINAL RELEASE	JWJ 3/9/06	RRR 3/9/06

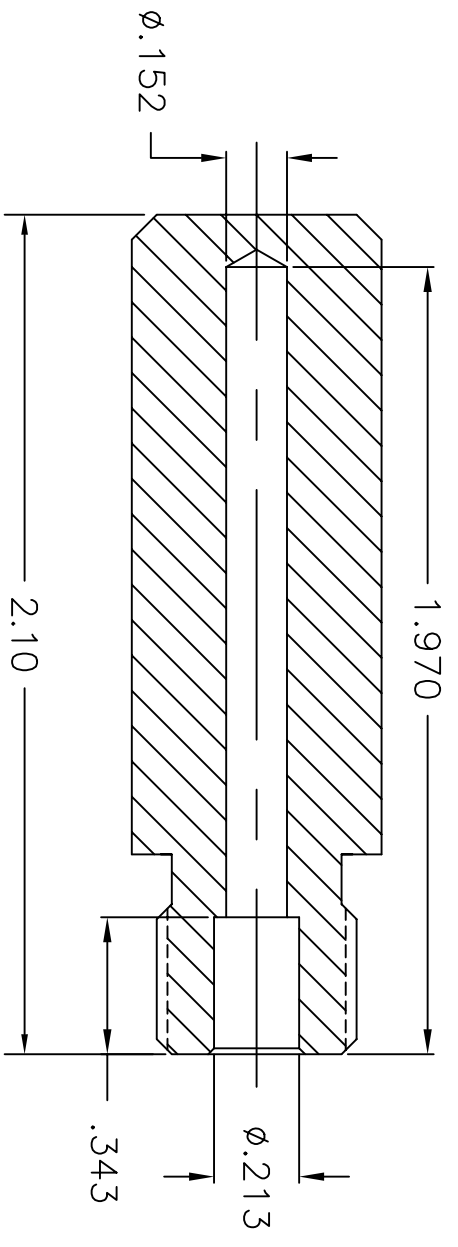
**UNCONTROLLED DOCUMENT
WILL NOT BE UPDATED**



DANIELS MFG. CORP.
ORLANDO, FL. USA
SIZE 12 PIN



1/2-20 THREAD



RESTRICTED & CONFIDENTIAL		<p style="font-size: small;">CONFIDENTIAL PROPERTY OF DANIELS MANUFACTURING CORP. NOT TO BE DISCLOSED TO OTHERS, REPRODUCED OR USED FOR ANY OTHER PURPOSE, EXCEPT AS AUTHORIZED IN WRITING BY DANIELS MANUFACTURING. MUST BE RETURNED TO DANIELS MANUFACTURING CORP. ON COMPLETION OF ORDER OR OTHER PURPOSE FOR WHICH LENT.</p>	
DO NOT SCALE DRAWING			
DRN.	J. JOYCE	DATE	3/9/06
CHKD.	RRR	DATE	3/9/06
APPD.		DATE	
APPD.		DATE	
<p style="font-size: x-small;">NOTE: THIS DRAWING IS AN OUTLINE DRAWING OF THE RESPECTIVE DMC PART NUMBER INDICATED. ACTUAL DMC PART NUMBER IS DRAWING NUMBER WITHOUT THE "-ENV" SUFFIX.</p>			
		<p style="font-size: x-small;">DANIELS MANUFACTURING CORP. ORLANDO, FLORIDA CAGE 11851</p>	
<p style="font-size: x-small;">WHERE USED:</p>		<p style="font-size: x-small;">POSITIONER ENVELOPE DRAWING</p>	
SIZE	SCALE	CAD P/N	SHEET OF
A	NTS	TP683-1-ENV	1 1
POSTING	DWG. NO.	TP683-1-ENV	REV. 1

1. USE WITH M300-25A.
NOTES: