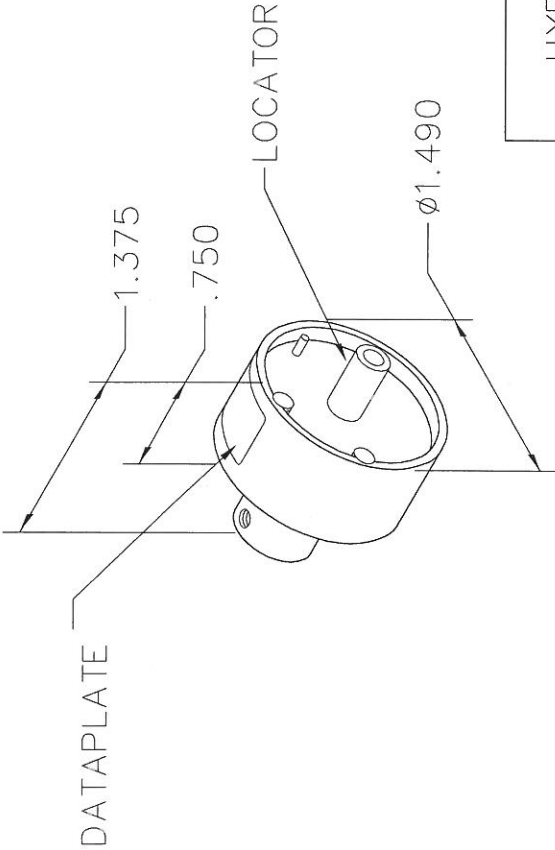


REVISIONS

REV. SYM.	E.C.O. NUMBER	DESCRIPTION	BY DATE	APP'D DATE
1		ORIGINAL RELEASE	AAM 9-21-98	RRR 9-21-98

**UNCONTROLLED DOCUMENT  
WILL NOT BE UPDATED**  
DIMENSIONS IN INCHES - UNLESS OTHERWISE SPECIFIED



HYPERTAC	26	24	22	20	18	16	WIRE
0151611-29	1	2	3	4	5	6	SEL
0151702-29							NO

DATAPLATE

LOCATOR	HOLE DIMENSIONS	ADDITIONAL FEATURES
	∅.063	┌┐ ∅.152
	∇1.14 MIN.	∇.059
		┌┐ ∅.136
		∇.468

**RESTRICTED & CONFIDENTIAL**

CONFIDENTIAL PROPERTY OF DANIELS MANUFACTURING CORP. NOT TO BE DISCLOSED TO OTHERS, REPRODUCED OR USED FOR ANY OTHER PURPOSE, EXCEPT AS AUTHORIZED IN WRITING BY DANIELS MANUFACTURING.

MUST BE RETURNED TO DANIELS MANUFACTURING CORP. ON COMPLETION OF ORDER OR OTHER PURPOSE FOR WHICH LENT.

**DO NOT SCALE DRAWING**

DRN. A. MOO-YOUNG  
CHK'D. RRR  
APP'D.  
APP'D.

DATE 9-21-98  
DATE 9-21-98  
DATE  
DATE

**DMC** DANIELS MANUFACTURING CORP.  
ORLANDO, FLORIDA  
CAGE 11851

TITLE: ENVELOPE DRAWING  
SINGLE POSITION HEAD

WHERE USED: AF8

SIZE SCALE CAD P/N SHEET OF  
A NTS TP655-1-ENV 1 1

POSTING DWG. NO. REV.  
TP655-1-ENV 1

NOTE:  
THIS DRAWING IS AN OUTLINE DRAWING OF THE RESPECTIVE DMC PART NUMBER INDICATED. ACTUAL DMC PART NUMBER IS DRAWING NUMBER WITHOUT THE "-ENV" SUFFIX.