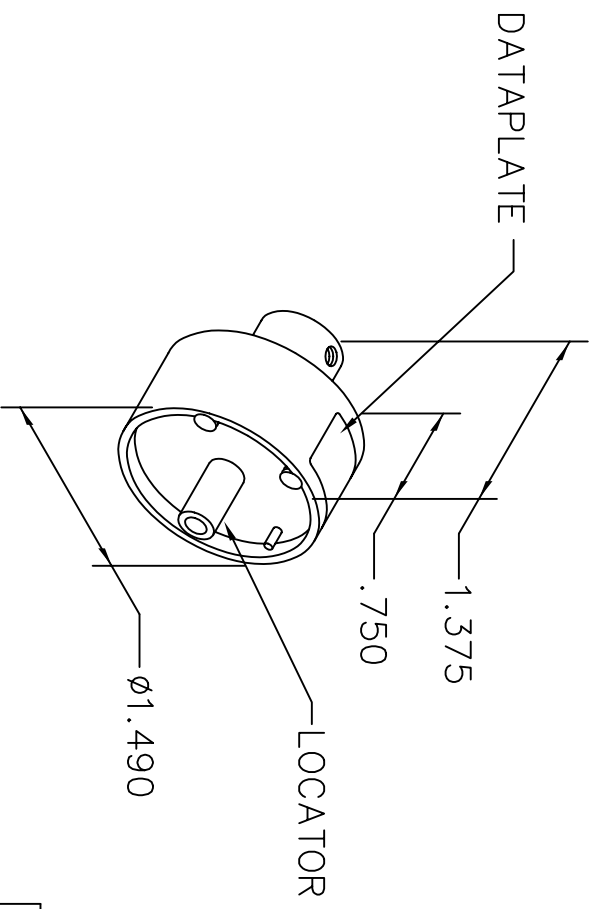


REVISIONS				
REV. SYM.	E.C.O. NUMBER	DESCRIPTION	BY DATE	APP'D DATE
1		REDRAWN	JMC 8-7-03	JWJ 3-7-00

**UNCONTROLLED DOCUMENT
WILL NOT BE UPDATED**



CONTACTS	24	22	20	RG141A, 142A, 142B, 178B, 180B, 188, 195A, 196A, 303, 316/U	RG55B, 58C, 223/U	CABLE OR WIRE SIZE
M24308/10-1	1	1	2			
M24308/11-1						
M24308/16 & /17 -1 THRU -5 INNER P & S				1		1


DATAPLATE

LOCATOR	
HOLE DIMENSIONS	ADDITIONAL FEATURES
∅.078	┌└┐∅.094
∇∅1.14 MIN	∇.005

RESTRICTED & CONFIDENTIAL

CONFIDENTIAL PROPERTY OF DANIELS MANUFACTURING CORP. NOT TO BE DISCLOSED TO OTHERS, REPRODUCED OR USED FOR ANY OTHER PURPOSE, EXCEPT AS AUTHORIZED IN WRITING BY DANIELS MANUFACTURING. MUST BE RETURNED TO DANIELS MANUFACTURING CORP. ON COMPLETION OF ORDER OR OTHER PURPOSE FOR WHICH LENT.

DO NOT SCALE DRAWING

DRN.	JMC	DATE	8-7-03	 DANIELS MANUFACTURING CORP. ORLANDO, FLORIDA CAGE 11851
CHK'D.	JWJ	DATE	8-7-03	
APP'D.		DATE		
NOTE: THIS DRAWING IS AN OUTLINE DRAWING OF THE RESPECTIVE DMC PART NUMBER INDICATED. ACTUAL DMC PART NUMBER IS DRAWING NUMBER WITHOUT THE "-ENV" SUFFIX.				TITLE SINGLE POSITION HEAD ENVELOPE DRAWING
WHERE USED: AF8				CAD P/N TP585-ENV
SIZE A				SCALE NTS
POSTING				DWG. NO. TP585-ENV
				SHEET 1 OF 1
				REV. 1