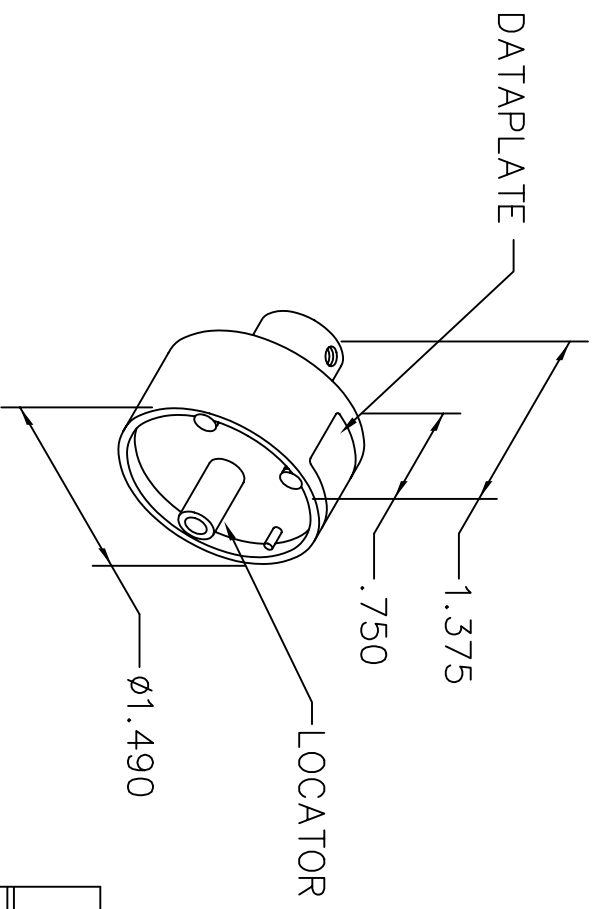


REVISIONS				
REV. SYM.	E.C.O. NUMBER	DESCRIPTION	BY DATE	APP'D DATE
1		REDRAWN	AAM 3-7-00	RRR 3-7-00

**UNCONTROLLED DOCUMENT
WILL NOT BE UPDATED**



WINCHESTER CONTACTS	28	26	24	22	20	18	16	WIRE SIZE
100-1016 P					5	6	6	Z OF S
100-1016 S				4	5			
100-1020			2	4	5			
100-1024	4	5	5					

DATAPLATE

LOCATOR	
HOLE DIMENSIONS	ADDITIONAL FEATURES
∅.106 ∇.492	L ∇∅.136 ∇.181

RESTRICTED & CONFIDENTIAL

CONFIDENTIAL PROPERTY OF DANIELS MANUFACTURING CORP. NOT TO BE DISCLOSED TO OTHERS, REPRODUCED OR USED FOR ANY OTHER PURPOSE, EXCEPT AS AUTHORIZED IN WRITING BY DANIELS MANUFACTURING. MUST BE RETURNED TO DANIELS MANUFACTURING CORP. ON COMPLETION OF ORDER OR OTHER PURPOSE FOR WHICH LENT.

DO NOT SCALE DRAWING

DRN.	LV	DATE	6-19-90
CHK'D.	PD	DATE	6-19-90
APP'D.	AAM	DATE	6-19-90
APP'D.		DATE	

NOTE: THIS DRAWING IS AN OUTLINE DRAWING OF THE RESPECTIVE DMC PART NUMBER INDICATED. ACTUAL DMC PART NUMBER IS DRAWING NUMBER WITHOUT THE "-ENV" SUFFIX.

WHERE USED: AF8

DMC
DANIELS MANUFACTURING CORP.
ORLANDO, FLORIDA
CAGE 11851

TITLE	ENVELOPE DRAWING SINGLE POSITION HEAD
SIZE	A
SCALE	NTS
CAD P/N	TP584-ENV
DWG. NO.	TP584-ENV
SHEET	1 OF 1
REV.	1