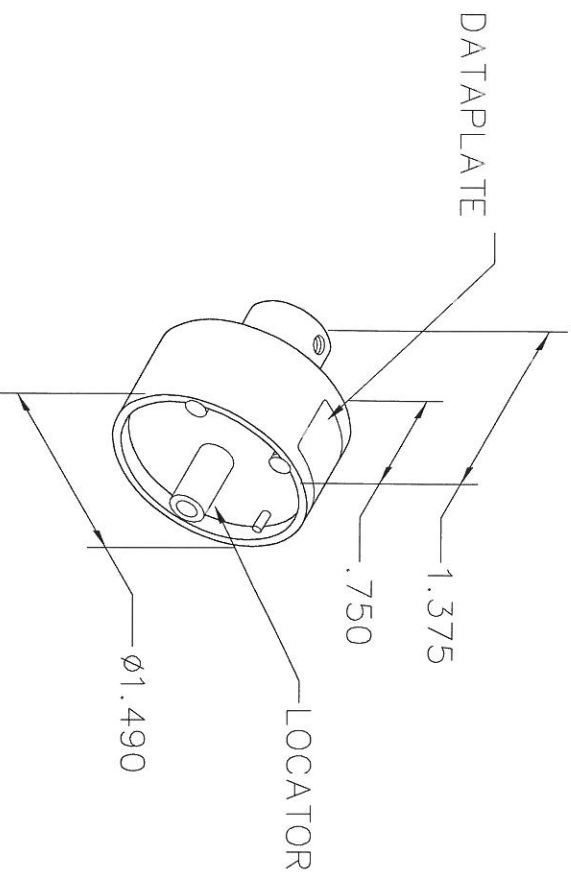


REVISIONS				
REV. SYM.	E.C.O. NUMBER	DESCRIPTION	BY DATE	APP'D DATE
1		REDRAWN	JMC 8-7-03	JWJ 3-7-00

**UNCONTROLLED DOCUMENT
WILL NOT BE UPDATED**

DIMENSIONS IN INCHES - UNLESS OTHERWISE SPECIFIED



AMP CONTACTS	16	18	20	22	24	WIRE SIZE
200333-1	6	5	4			SEL.
201328-1			4	3	2	NO.
200679-1						

DATAPLATE

LOCATOR	LOCATOR
HOLE DIMENSIONS	ADDITIONAL FEATURES
∅.078 ∇ ∅.654	L ∅.156 ∇ .514

RESTRICTED & CONFIDENTIAL

CONFIDENTIAL PROPERTY OF DANIELS MANUFACTURING CORP. NOT TO BE DISCLOSED TO OTHERS, REPRODUCED OR USED FOR ANY OTHER PURPOSE, EXCEPT AS AUTHORIZED IN WRITING BY DANIELS MANUFACTURING. MUST BE RETURNED TO DANIELS MANUFACTURING CORP. ON COMPLETION OF ORDER OR OTHER PURPOSE FOR WHICH LENT.

DO NOT SCALE DRAWING

DRN.	JMC	DATE	8-7-03
CHK'D.	JWJ	DATE	8-7-03
APP'D.		DATE	
APP'D.		DATE	

NOTE:

THIS DRAWING IS AN OUTLINE DRAWING OF THE RESPECTIVE DMC PART NUMBER INDICATED. ACTUAL DMC PART NUMBER IS DRAWING NUMBER WITHOUT THE "-ENV" SUFFIX.



TITLE
SINGLE POSITION HEAD
ENVELOPE DRAWING

WHERE USED: AFB

SIZE	SCALE	CAD P/N	SHEET	OF
A	NTS	TP581-ENV	1	1
POSTING		DWG. NO.		REV.
		TP581-ENV		1