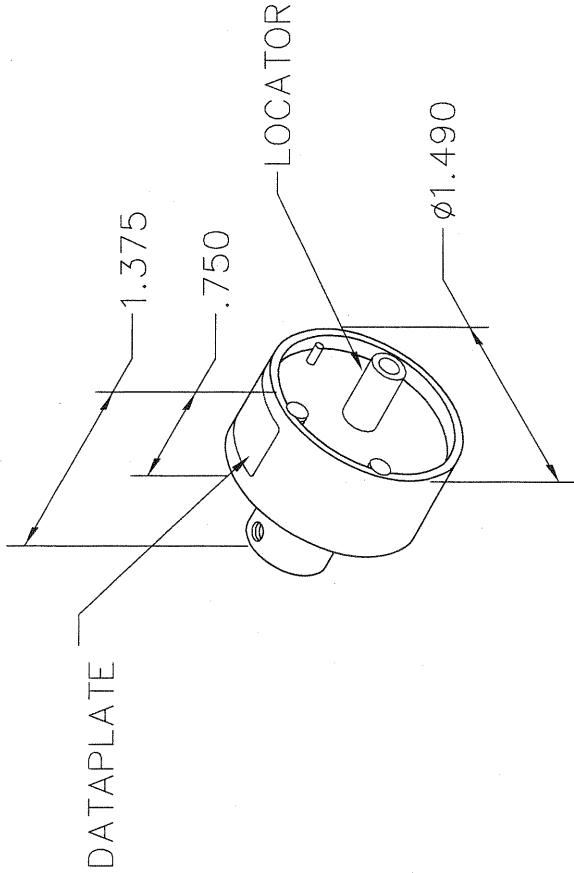


REVISIONS

REV. SYM.	E.C.O. NUMBER	DESCRIPTION	BY DATE	APP'D DATE
1		ORIGINAL RELEASE	JWJ 6/13/05	RRR 6/13/05

**UNCONTROLLED DOCUMENT
WILL NOT BE UPDATED**



POSITRONICS	22	18	WIRE SIZE
FC116N		5	SEL.
FC120N	3		NO.

DATAPLATE

LOCATOR	ADDITIONAL FEATURES
$\phi .106$ $\downarrow .490$	$\phi .128$ $\downarrow .220$

RESTRICTED & CONFIDENTIAL
 CONFIDENTIAL PROPERTY OF DANIELS MANUFACTURING CORP. NOT TO BE DISCLOSED TO OTHERS, REPRODUCED OR USED FOR ANY OTHER PURPOSE, EXCEPT AS AUTHORIZED IN WRITING BY DANIELS MANUFACTURING. MUST BE RETURNED TO DANIELS MANUFACTURING CORP. ON COMPLETION OF ORDER OR OTHER PURPOSE FOR WHICH LENT.

DO NOT SCALE DRAWING

DRN.	J. JOYCE	DATE	6/13/05
CHK'D.	RRR	DATE	6/13/05
APP'D.		DATE	
APP'D.		DATE	

NOTE:
 THIS DRAWING IS AN OUTLINE DRAWING OF THE RESPECTIVE DMC PART NUMBER INDICATED. ACTUAL DMC PART NUMBER IS DRAWING NUMBER WITHOUT THE "-ENV" SUFFIX.

DMC DANIELS MANUFACTURING CORP.
 ORLANDO, FLORIDA
 CAGE 11851

TITLE	SINGLE POSITION HEAD ENVELOPE DRAWING		
WHERE USED: AF8	SCALE	CAD P/N	SHEET OF
SIZE	A	TP539-ENV	1 1
POSTING	NTS	DWG. NO.	REV.
		TP539-ENV	1