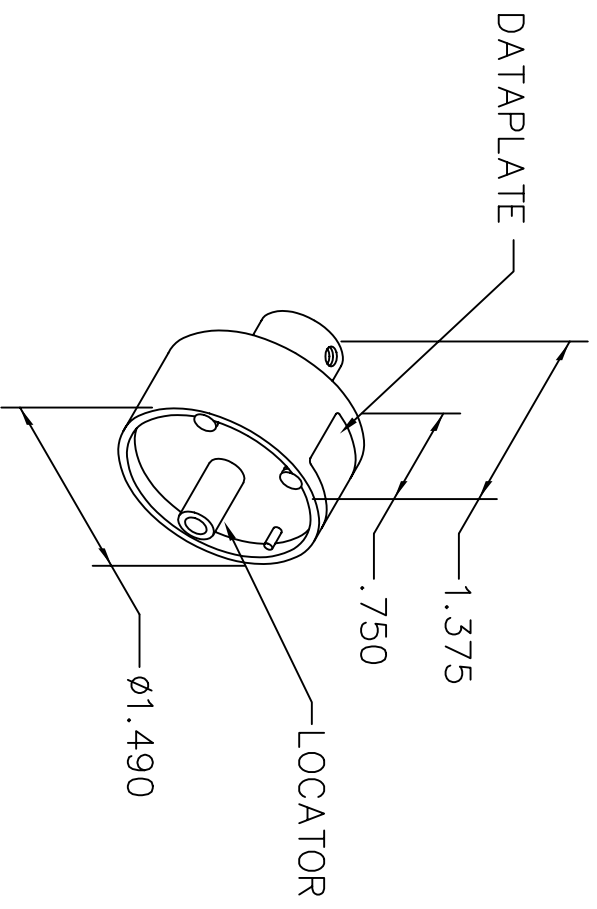


REVISIONS				
REV. SYM.	E.C.O. NUMBER	DESCRIPTION	BY DATE	APP'D DATE
1		ORIGINAL RELEASE	JS 10-5-87	DH 10-9-87

**UNCONTROLLED DOCUMENT
WILL NOT BE UPDATED**



VIKING CONTACTS	24	22	20	18	16	12	WIRE SIZE
019-0249-000	5	5	5				Z O L S
019-0248-000			5	5	5		
019-0273-000						5	

DATAPLATE

LOCATOR	
HOLE DIMENSIONS	ADDITIONAL FEATURES
ø.116 ∓.375	

RESTRICTED & CONFIDENTIAL

CONFIDENTIAL PROPERTY OF DANIELS MANUFACTURING CORP. NOT TO BE DISCLOSED TO OTHERS, REPRODUCED OR USED FOR ANY OTHER PURPOSE, EXCEPT AS AUTHORIZED IN WRITING BY DANIELS MANUFACTURING. MUST BE RETURNED TO DANIELS MANUFACTURING CORP. ON COMPLETION OF ORDER OR OTHER PURPOSE FOR WHICH LENT.

DO NOT SCALE DRAWING

DRN.	JS	DATE	10-5-87
CHK'D.	DH	DATE	10-9-87
APP'D.	AAM	DATE	10-9-87
APP'D.		DATE	

NOTE: THIS DRAWING IS AN OUTLINE DRAWING OF THE RESPECTIVE DMC PART NUMBER INDICATED. ACTUAL DMC PART NUMBER IS DRAWING NUMBER WITHOUT THE "-ENV" SUFFIX.

WHERE USED: **DMC** DANIELS MANUFACTURING CORP. ORLANDO, FLORIDA CAGE 11851

TITLE: SINGLE POSITION HEAD ENVELOPE DRAWING

SIZE	SCALE	CAD P/N	SHEET	OF
A	NTS	TP502-ENV	1	1
POSTING		DWG. NO. TP502-ENV		REV. 1