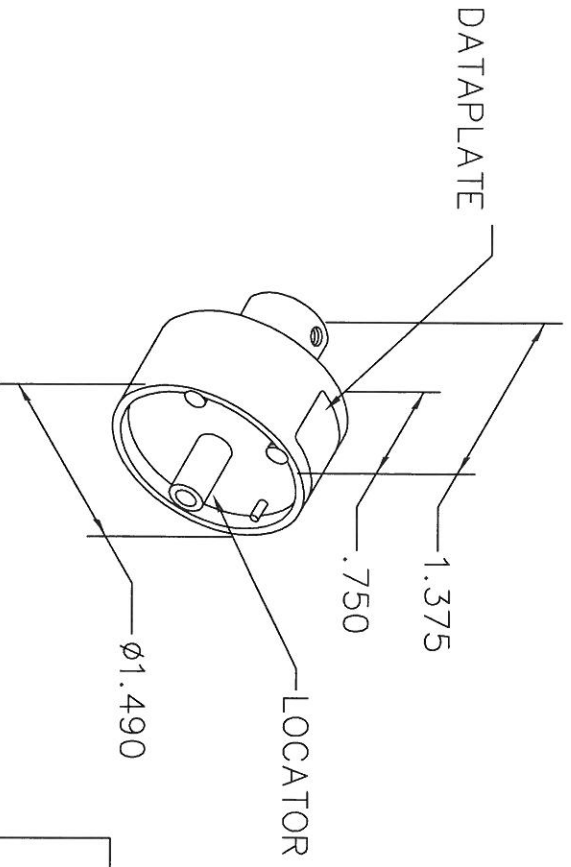


REVISIONS				
REV. SYM.	E.C.O. NUMBER	DESCRIPTION	BY DATE	APP'D DATE
1		ORIGINAL RELEASE	JWU 2/25/05	RRR 2/25/05

**UNCONTROLLED DOCUMENT  
WILL NOT BE UPDATED**

**DIMENSIONS IN INCHES - UNLESS OTHERWISE SPECIFIED**



HYPERTAC CONTACT NO.	USE WITH M300BT TOOL	
0300342-20R	WIRE SIZE	SEL. NO.
0300352-20R	12 AWG	6
	8 AWG	4

DATAPLATE

LOCATOR	ADDITIONAL FEATURES
HOLE DIMENSIONS	□ φ.307
φ.246	▽.760
▽1.024	

**RESTRICTED & CONFIDENTIAL**

CONFIDENTIAL PROPERTY OF DANIELS MANUFACTURING CORP. NOT TO BE DISCLOSED TO OTHERS, REPRODUCED OR USED FOR ANY OTHER PURPOSE, EXCEPT AS AUTHORIZED IN WRITING BY DANIELS MANUFACTURING. MUST BE RETURNED TO DANIELS MANUFACTURING CORP. ON COMPLETION OF ORDER OR OTHER PURPOSE FOR WHICH LENT.

**DO NOT SCALE DRAWING**

DRN.	J. JOYCE	DATE	2/25/05
CHK'D.	RRR	DATE	2/25/05
APP'D.		DATE	
APP'D.		DATE	

NOTE: THIS DRAWING IS AN OUTLINE DRAWING OF THE RESPECTIVE DMG PART NUMBER INDICATED. ACTUAL DMG PART NUMBER IS DRAWING NUMBER WITHOUT THE "-ENV" SUFFIX.

**DANIELS MANUFACTURING CORP.**  
ORLANDO, FLORIDA  
CAGE 11851

**DMG**

TITLE: SINGLE POSITION HEAD ENVELOPE DRAWING

WHERE USED: M300BT

SIZE	SCALE	CAD P/N	SHEET	OF
A	NTS	TP1506-ENV	1	1

POSTING

DWG. NO.	REV.
TP1506-ENV	1