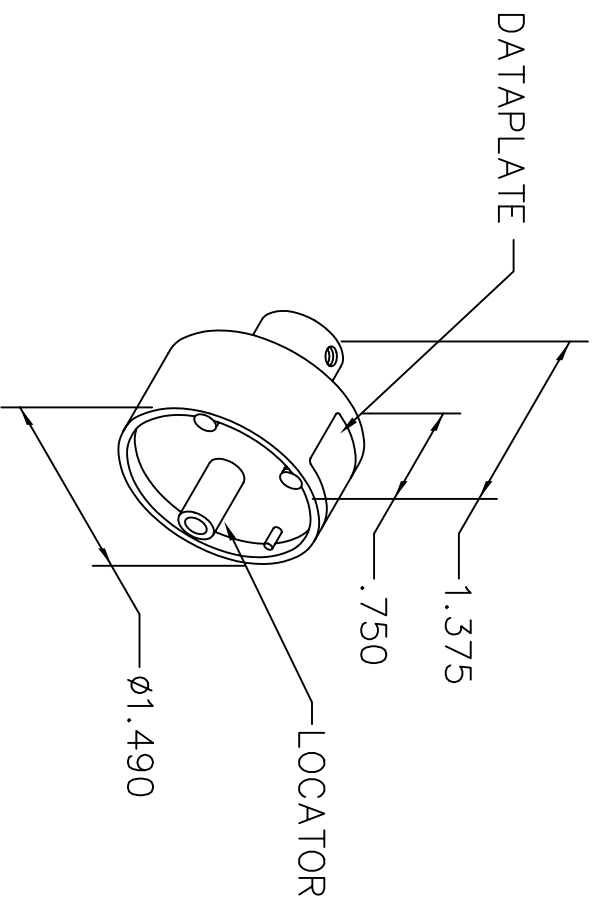



REVISIONS				
REV. SYM.	E.C.O. NUMBER	DESCRIPTION	BY DATE	APP'D DATE
1		ORIGINAL RELEASE	JWJ 1/20/04	RRR 1/20/04

**UNCONTROLLED DOCUMENT
WILL NOT BE UPDATED**



FCI CONTACTS	1.5	2.5	mm2 WIRE
8291-1462 & 8291-1463N	3		SELECTOR NUMBER
8291-1464 & 8291-1465N		3	
USE WITH M317 TOOL			

DATAPLATE

LOCATOR	
HOLE DIMENSIONS	ADDITIONAL FEATURES
$\varnothing .101$ $\nabla .708$	 $\varnothing .169$ $\nabla .610$

RESTRICTED & CONFIDENTIAL

CONFIDENTIAL PROPERTY OF DANIELS MANUFACTURING CORP. NOT TO BE DISCLOSED TO OTHERS, REPRODUCED OR USED FOR ANY OTHER PURPOSE, EXCEPT AS AUTHORIZED IN WRITING BY DANIELS MANUFACTURING. MUST BE RETURNED TO DANIELS MANUFACTURING CORP. ON COMPLETION OF ORDER OR OTHER PURPOSE FOR WHICH LENT.

DO NOT SCALE DRAWING

DRN.	J. JOYCE	DATE	1/20/04
CHK'D.	RRR	DATE	1/20/04
APP'D.		DATE	
APP'D.		DATE	
NOTE: THIS DRAWING IS AN OUTLINE DRAWING OF THE RESPECTIVE DMC PART NUMBER INDICATED. ACTUAL DMC PART NUMBER IS DRAWING NUMBER WITHOUT THE "-ENV" SUFFIX.			
DMC DANIELS MANUFACTURING CORP. ORLANDO, FLORIDA CAGE 11851		TITLE SINGLE POSITION HEAD ENVELOPE DRAWING	
WHERE USED: M317		SIZE SCALE	
A		NTS	
POSTING	CAD P/N	SHEET	OF
	TP1494-ENV	1	1
DWG. NO.	TP1494-ENV	REV.	1