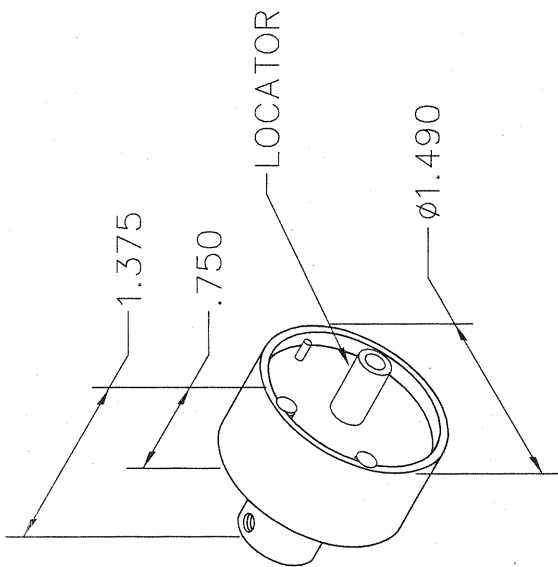


REVISIONS

REV. SYM.	E.C.O. NUMBER	DESCRIPTION	BY DATE	APP'D DATE
1		ORIGINAL RELEASE	JWJ 3/16/06	RRR 3/16/06



- 2. NO DATAPLATE REQUIRED.
- 1. DESIGNED AS FUNCTIONAL EQUIVALENT OF P/N T0753 (PHOENIX).

NOTES:

LOCATOR	
HOLE DIMENSIONS	ADDITIONAL FEATURES
ø.059 ↓ .495	

RESTRICTED & CONFIDENTIAL

CONFIDENTIAL PROPERTY OF DANIELS MANUFACTURING CORP. NOT TO BE DISCLOSED TO OTHERS, REPRODUCED OR USED FOR ANY OTHER PURPOSE, EXCEPT AS AUTHORIZED IN WRITING BY DANIELS MANUFACTURING. MUST BE RETURNED TO DANIELS MANUFACTURING CORP. ON COMPLETION OF ORDER OR OTHER PURPOSE FOR WHICH LENT.

DO NOT SCALE DRAWING

DRN. J. JOYCE	DATE 3/16/06	DANIELS MANUFACTURING CORP. ORLANDO, FLORIDA CAGE 11851	
CHK'D. RRR	DATE 3/16/06	TITLE ENVELOPE DRAWING SINGLE POSITION HEAD	
APP'D.	DATE	WHERE USED: FT8	
APP'D.	DATE	SIZE A	CAD P/N TP1488-ENV
NOTE: THIS DRAWING IS AN OUTLINE DRAWING OF THE RESPECTIVE DMC PART NUMBER INDICATED. ACTUAL DMC PART NUMBER IS DRAWING NUMBER WITHOUT THE "-ENV" SUFFIX.		SCALE NTS	SHEET 1 OF 1
		POSTING	DWG. NO. TP1488-ENV
			REV. 1