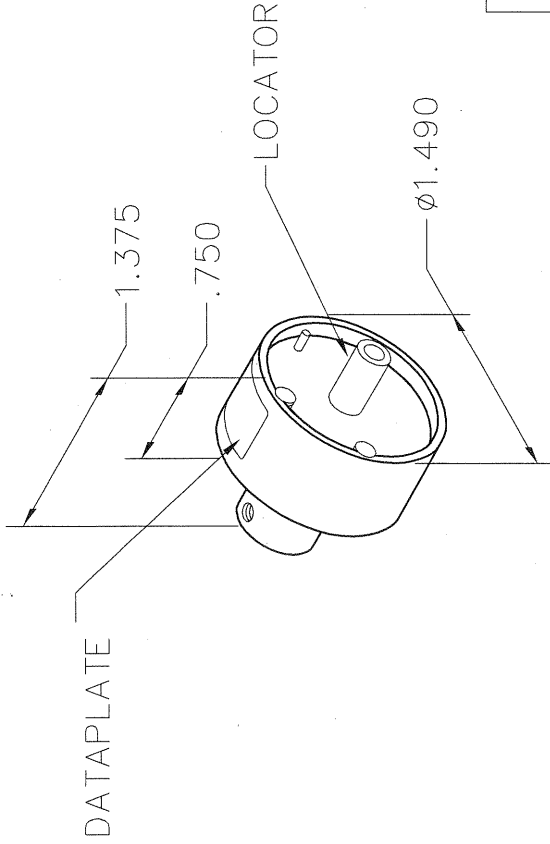


REVISIONS

REV. SYM.	E.C.O. NUMBER	DESCRIPTION	BY DATE	APP'D DATE
1		ORIGINAL RELEASE	AAM 11-28-00	RRR 11-28-00

**UNCONTROLLED DOCUMENT
WILL NOT BE UPDATED**

DIMENSIONS IN INCHES - UNLESS OTHERWISE SPECIFIED



INTERCONNECTRON	18	16	WIRE SIZE
020.123.1020	6	6	SELECTOR NUMBER

DATAPLATE

LOCATOR	ADDITIONAL FEATURES
HOLE DIMENSIONS $\phi .149$ $\nabla .485$	

RESTRICTED & CONFIDENTIAL

CONFIDENTIAL PROPERTY OF DANIELS MANUFACTURING CORP. NOT TO BE DISCLOSED TO OTHERS, REPRODUCED OR USED FOR ANY OTHER PURPOSE, EXCEPT AS AUTHORIZED IN WRITING BY DANIELS MANUFACTURING. MUST BE RETURNED TO DANIELS MANUFACTURING CORP. ON COMPLETION OF ORDER OR OTHER PURPOSE FOR WHICH LENT.

DO NOT SCALE DRAWING

DRN. A. MOO-YOUNG	DATE 10-12-00
CHK'D. RRR	DATE 10-12-00
APP'D.	DATE
APP'D.	DATE

NOTE:
THIS DRAWING IS AN OUTLINE DRAWING OF THE RESPECTIVE DMC PART NUMBER INDICATED. ACTUAL DMC PART NUMBER IS DRAWING NUMBER WITHOUT THE "-ENV" SUFFIX.

DMC DANIELS MANUFACTURING CORP.
ORLANDO, FLORIDA
CAGE 11851

TITLE	ENVELOPE DRAWING SINGLE POSITION HEAD		
WHERE USED: AFB	SCALE	CAD P/N	SHEET OF
	A NONE	TP1392-ENV	1 1
POSTING	DWG. NO.	REV.	
	TP1392-ENV	1	