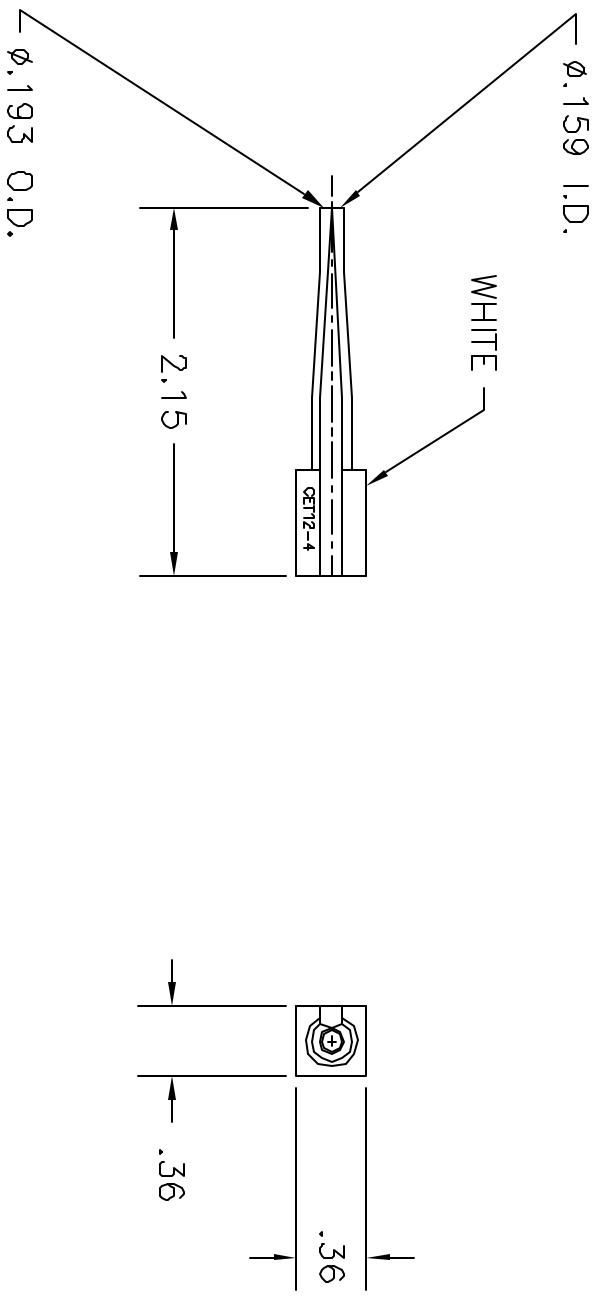


REVISIONS				
REV. SYM.	E.C.O. NUMBER	DESCRIPTION	BY DATE	APP'D DATE
1		ORIGINAL RELEASE	JMU 11/26/02	RRR 11/26/02

**UNCONTROLLED DOCUMENT
WILL NOT BE UPDATED**



RESTRICTED & CONFIDENTIAL		CONFIDENTIAL PROPERTY OF DANIELS MANUFACTURING CORP. NOT TO BE DISCLOSED TO OTHERS, REPRODUCED OR USED FOR ANY OTHER PURPOSE EXCEPT AS AUTHORIZED IN WRITING BY DANIELS MANUFACTURING. MUST BE RETURNED TO DANIELS MANUFACTURING CORP. ON COMPLETION OF ORDER OR OTHER PURPOSE FOR WHICH LENT.	
MATERIAL		ITEM	PART NO.
HEAT TREAT		DRN. J. JOYCE	DATE 11/26/02
FINISH		CHK'D. RRR	DATE 11/26/02
		APP'D.	DATE
		APP'D.	DATE
TITLE		DESCRIPTION/REMARKS	
ITT REMOVAL TOOL ENVELOPE DRAWING (MS3165-12)		DANIELS MANUFACTURING CORP. ORLANDO, FLORIDA CAGE 11851	
WHERE USED:			

DO NOT SCALE DRAWING		SIZE A	SCALE NTS	EAD P/N CET12-4-ENV	SHEET 1	DF 1
		POSTING		P/N CET12-4-ENV	REV. 1	