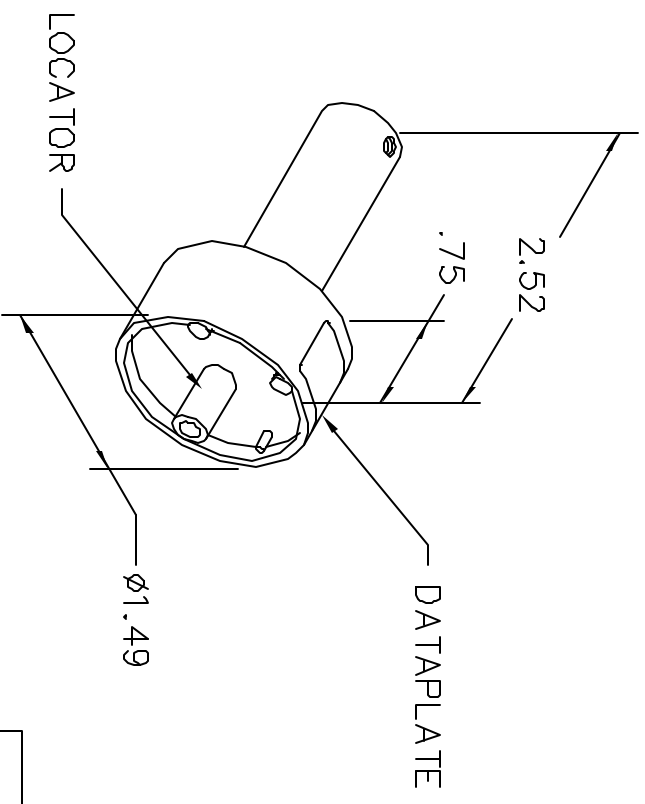


REVISIONS				
REV. SYM.	E.C.D. NUMBER	DESCRIPTION	BY DATE	APP'D DATE
1		ORIGINAL RELEASE	AAM 8-16-05	RRR 8-16-05

**UNCONTROLLED DOCUMENT
WILL NOT BE UPDATED**



PYLE NATIONAL CONTACTS	16	14	12	WIRE
ZP-4012-36L, ZP-4112-36L	4	5	6	SEL. NO.
USE WITH M309				

DATAPLATE

LOCATOR	
HOLE DIMENSIONS	ADDITIONAL FEATURES
∅.101 ∇ 1.749	┌┐ ∅.196 ∇ 1.677

RESTRICTED & CONFIDENTIAL

CONFIDENTIAL PROPERTY OF DANIELS MANUFACTURING CORP. NOT TO BE DISCLOSED TO OTHERS, REPRODUCED OR USED FOR ANY OTHER PURPOSE, EXCEPT AS AUTHORIZED IN WRITING BY DANIELS MANUFACTURING. MUST BE RETURNED TO DANIELS MANUFACTURING CORP. ON COMPLETION OF ORDER OR OTHER PURPOSE FOR WHICH LENT.

DO NOT SCALE DRAWING

DRN. A. MOO-YOUNG	DATE 8-16-05
CHK'D. RRR	DATE 8-16-05
APP'D. _____	DATE _____
APP'D. _____	DATE _____

NOTE: THIS DRAWING IS AN OUTLINE DRAWING OF THE RESPECTIVE DMC PART NUMBER INDICATED. ACTUAL DMC PART NUMBER IS DRAWING NUMBER WITHOUT THE "-ENV" SUFFIX.



DANIELS MANUFACTURING CORP.
ORLANDO, FLORIDA
CAGE 11851

TITLE
ENVELOPE DRAWING
SINGLE POSITION HEAD

WHERE USED: M309	CAD P/N	SHEET	OF
SIZE A	TP1 383-ENV	1	1
SCALE NTS	TP1 383-ENV		
POSTING	DWG NO. TP1 383-ENV	REV.	1