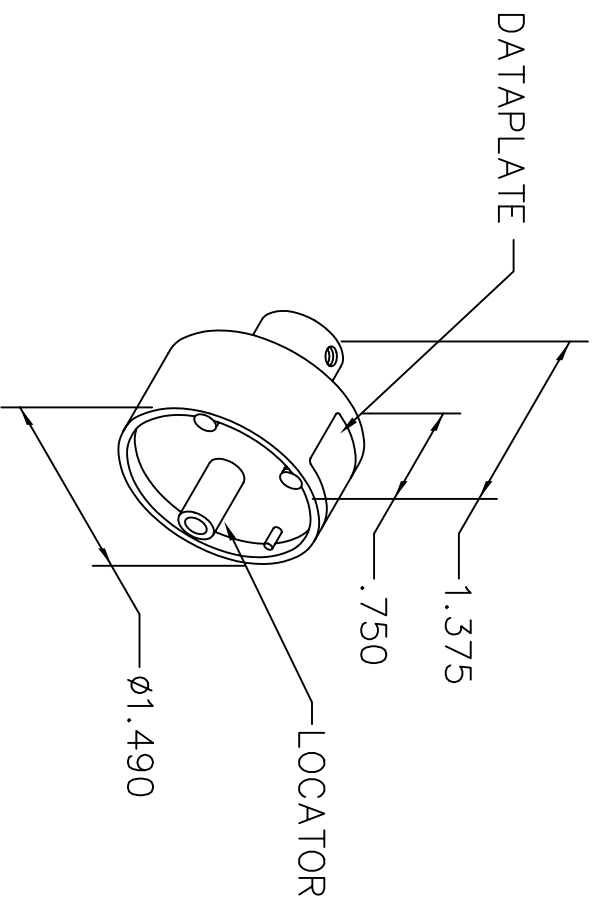


REVISIONS				
REV. SYM.	E.C.O. NUMBER	DESCRIPTION	BY DATE	APP'D DATE
1		ORIGINAL RELEASE	AAM 4-27-01	RRR 4-27-01

**UNCONTROLLED DOCUMENT
WILL NOT BE UPDATED**



CKB SOCKET CONTACT
USE WITH M317

DATAPLATE

LOCATOR	
HOLE DIMENSIONS	ADDITIONAL FEATURES
∅.267 ∇ 1.14 MIN.	L ∅.322 ∇ .901

RESTRICTED & CONFIDENTIAL

CONFIDENTIAL PROPERTY OF DANIELS MANUFACTURING CORP. NOT TO BE DISCLOSED TO OTHERS, REPRODUCED OR USED FOR ANY OTHER PURPOSE, EXCEPT AS AUTHORIZED IN WRITING BY DANIELS MANUFACTURING. MUST BE RETURNED TO DANIELS MANUFACTURING CORP. ON COMPLETION OF ORDER OR OTHER PURPOSE FOR WHICH LENT.

DO NOT SCALE DRAWING

DRN. A. MOO-YOUNG	DATE 4-27-01	TITLE		
CHK'D. RRR	DATE 4-27-01	ENVELOPE DRAWING SINGLE POSITION HEAD		
APP'D.	DATE	WHERE USED: M317	CAD P/N	SHEET 1 OF 1
APP'D.	DATE		TP1338-ENV	REV. 1
NOTE: THIS DRAWING IS AN OUTLINE DRAWING OF THE RESPECTIVE DMC PART NUMBER INDICATED. ACTUAL DMC PART NUMBER IS DRAWING NUMBER WITHOUT THE "-ENV" SUFFIX.		DWG. NO.	TP1338-ENV	REV. 1

DMC
DANIELS MANUFACTURING CORP.
ORLANDO, FLORIDA
CAGE 11851