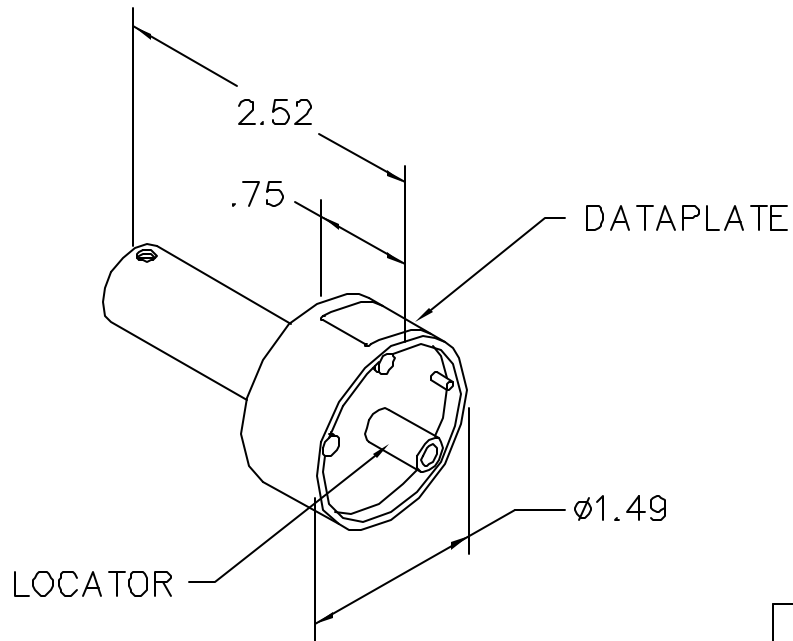


REVISIONS				
REV. SYM.	E.C.O. NUMBER	DESCRIPTION	BY DATE	APP'D DATE
1		ORIGINAL RELEASE	AAM 9-3-02	RRR 9-3-02

**UNCONTROLLED DOCUMENT  
WILL NOT BE UPDATED**



JOHNSON CONTROLS  
24-8922-18

USE WITH WA27BW-EP

DATAPLATE

LOCATOR	
HOLE DIMENSIONS	ADDITIONAL FEATURES
$\phi .246$ $\nabla 1.739$	

**RESTRICTED & CONFIDENTIAL**

CONFIDENTIAL PROPERTY OF DANIELS MANUFACTURING CORP. NOT TO BE DISCLOSED TO OTHERS, REPRODUCED OR USED FOR ANY OTHER PURPOSE, EXCEPT AS AUTHORIZED IN WRITING BY DANIELS MANUFACTURING. MUST BE RETURNED TO DANIELS MANUFACTURING CORP. ON COMPLETION OF ORDER OR OTHER PURPOSE FOR WHICH LENT.

DO NOT SCALE DRAWING

DRN. A. MOO-YOUNG	DATE 9-3-02
CHK'D. RRR	DATE 9-3-02
APP'D.	DATE
APP'D.	DATE

**DANIELS MANUFACTURING CORP.**  
ORLANDO, FLORIDA  
CAGE 11851

TITLE <b>ENVELOPE DRAWING SINGLE POSITION HEAD</b>			
WHERE USED: WA27BW-EP			
SIZE <b>A</b>	SCALE <b>NTS</b>	CAD P/N TP1273-ENV	SHEET OF 1 1
POSTING	P/N TP1273-ENV	REV. 1	