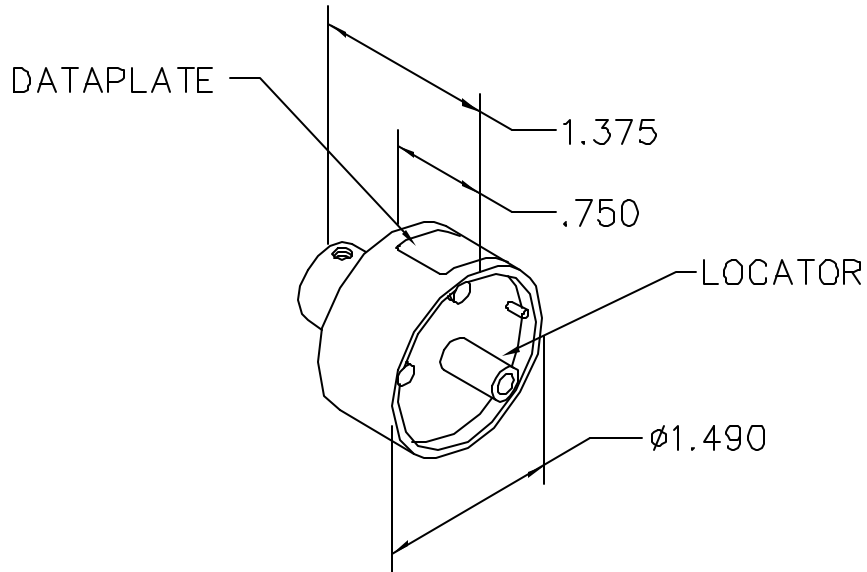


REVISIONS				
REV. SYM.	E.C.O. NUMBER	DESCRIPTION	BY DATE	APP'D DATE
1		ORIGINAL RELEASE	JWJ 8/15/02	RRR 8/15/02

**UNCONTROLLED DOCUMENT  
WILL NOT BE UPDATED**



POSITRONIC CONTACTS	14	12	WIRE SIZE
FC612N2 MC612N	7	8	SELECTOR NUMBER

DATAPLATE

LOCATOR	
HOLE DIMENSIONS	ADDITIONAL FEATURES
$\phi .166$	$\phi .199$ $\nabla .018$

**RESTRICTED & CONFIDENTIAL**

CONFIDENTIAL PROPERTY OF DANIELS MANUFACTURING CORP. NOT TO BE DISCLOSED TO OTHERS, REPRODUCED OR USED FOR ANY OTHER PURPOSE, EXCEPT AS AUTHORIZED IN WRITING BY DANIELS MANUFACTURING. MUST BE RETURNED TO DANIELS MANUFACTURING CORP. ON COMPLETION OF ORDER OR OTHER PURPOSE FOR WHICH LENT.

DO NOT SCALE DRAWING

DRN.	J. JOYCE	DATE	8/15/02
CHK'D.	RRR	DATE	8/15/02
APP'D.		DATE	
APP'D.		DATE	

**DMC** DANIELS MANUFACTURING CORP.  
ORLANDO, FLORIDA  
CAGE 11851

TITLE			
ENVELOPE DRAWING SINGLE POSITION HEAD			
WHERE USED: AF8			
SIZE	SCALE	CAD P/N	SHEET OF
A	NTS	TP1199-ENV	1 OF 1
POSTING	P/N	REV.	
	TP1199-ENV	1	