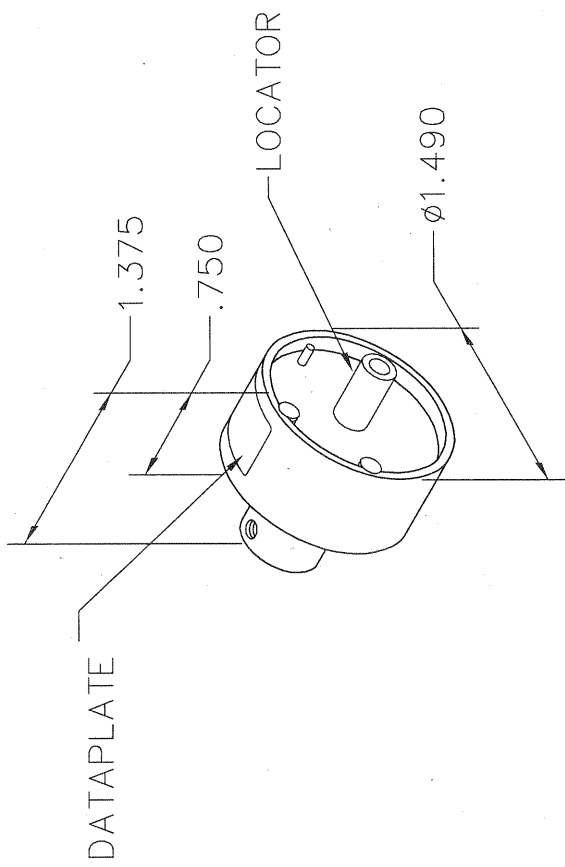


REV. SYM.		E.C.O. NUMBER		DESCRIPTION		BY DATE		APP'D DATE	
A				ORIGINAL RELEASE		AAM 5-19-98			

**UNCONTROLLED DOCUMENT
WILL NOT BE UPDATED**

DIMENSIONS IN INCHES - UNLESS OTHERWISE SPECIFIED



F.C.F. CONTACTS		18	16	14	12	10	9	8	AWG
10A-8638PPC100X &	-8638PSC100X	2	2						
20A-8638PPC200X &	-8638PSC200X			2	3				
30A-8638PPC300X &	-8638PSC300X					3			
40A-8638PPC400X &	-8638PSC400X					4		4	

DATAPLATE

LOCATOR	
HOLE DIMENSIONS	ADDITIONAL FEATURES
ø.221 ↕ .584	

RESTRICTED & CONFIDENTIAL

CONFIDENTIAL PROPERTY OF DANIELS MANUFACTURING CORP. NOT TO BE DISCLOSED TO OTHERS. REPRODUCED OR USED FOR ANY OTHER PURPOSE, EXCEPT AS AUTHORIZED IN WRITING BY DANIELS MANUFACTURING CORP. ON COMPLETION OF ORDER OR OTHER PURPOSE FOR WHICH LENT.

DRN. A. MOO-YOUNG
CHKD. DATE 5-19-98

APP'D. DATE

APP'D. DATE

NOTE:
THIS DRAWING IS AN OUTLINE DRAWING OF THE RESPECTIVE DMC PART NUMBER INDICATED. ACTUAL DMC PART NUMBER IS DRAWING NUMBER WITHOUT THE "-ENV" SUFFIX.

		DANIELS MANUFACTURING CORP. ORLANDO, FLORIDA CAGE 11851	
TITLE: ENVELOPE DRAWING SINGLE POSITION HEAD			
WHERE USED: M317		SIZE: A	SCALE: NTS
POSTING:	P/N: TP1161-ENV	CAD P/N: TP1161-ENV	SHEET OF: 1 1
REV.:			A