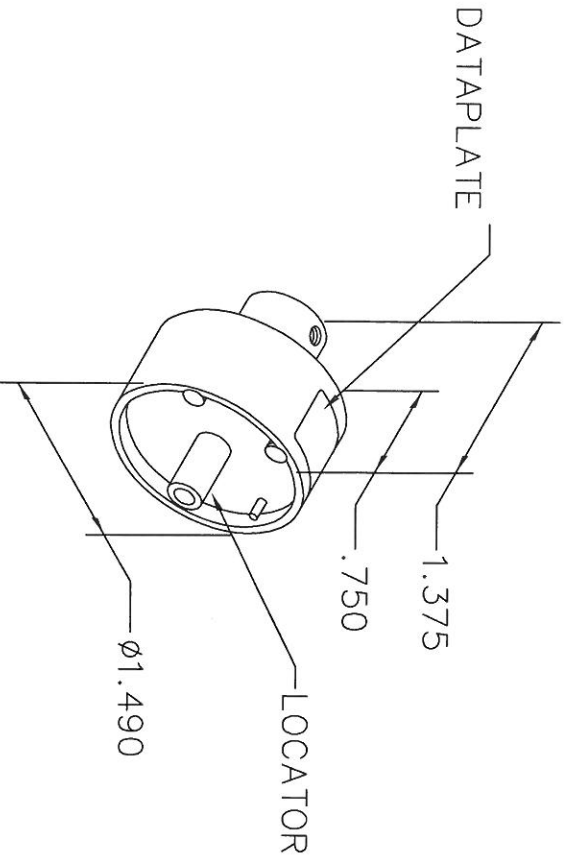


REVISIONS				
REV. SYM.	E.C.O. NUMBER	DESCRIPTION	BY DATE	APP'D DATE
2		REVISED DATAPLATE	AAM 2-15-02	RRR 2-15-02
3	23069	REVISED DATAPLATE	TD 9-9-13	



RADIALL CONTACTS	14	12	10	8	WIRE SIZE
616361	1	1			
616366			5	8	SELECTOR NUMBER

USE WITH M300BT

DATAPLATE

LOCATOR	
HOLE DIMENSIONS	ADDITIONAL FEATURES
ø.281 √.804	

**RESTRICTED & CONFIDENTIAL**

CONFIDENTIAL PROPERTY OF DANIELS MANUFACTURING CORP. NOT TO BE DISCLOSED TO OTHERS, REPRODUCED OR USED FOR ANY OTHER PURPOSE, EXCEPT AS AUTHORIZED IN WRITING BY DANIELS MANUFACTURING. MUST BE RETURNED TO DANIELS MANUFACTURING CORP. ON COMPLETION OF ORDER OR OTHER PURPOSE FOR WHICH LENT.

DO NOT SCALE DRAWING

DRN. A. MOO-YOUNG	DATE 2-14-02
CHK'D. RRR	DATE 2-14-02
APP'D.	DATE
APP'D.	DATE

NOTE: THIS DRAWING IS AN OUTLINE DRAWING OF THE RESPECTIVE DMC PART NUMBER INDICATED. ACTUAL DMC PART NUMBER IS DRAWING NUMBER WITHOUT THE "-ENV" SUFFIX.



DANIELS MANUFACTURING CORP.  
ORLANDO, FLORIDA  
CAGE 11851

TITLE: ENVELOPE DRAWING SINGLE POSITION HEAD

WHERE USED: M300BT	CAD P/N	SHEET	OF
SIZE A	TP1159-ENV	1	1
SCALE NTS	DWG. NO.		
POSTING	TP1159-ENV		REV. 3