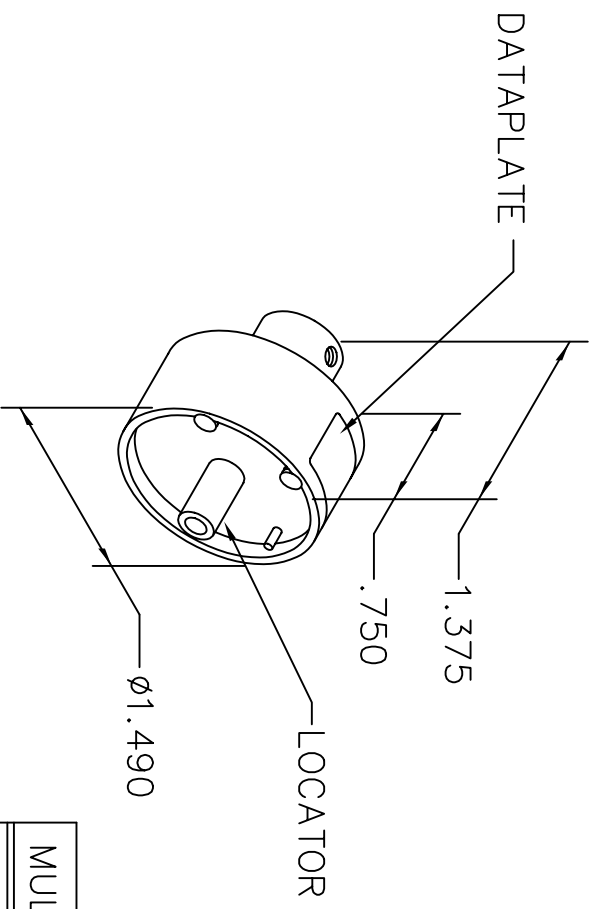


REVISIONS				
REV. SYM.	E.C.O. NUMBER	DESCRIPTION	BY DATE	APP'D DATE
1		ORIGINAL RELEASE	AAM 5-20-99	RRR 5-20-99

**UNCONTROLLED DOCUMENT
WILL NOT BE UPDATED**



MULTI-CONTACT	10 AWG	4 mm ²	2.5 mm ²	WIRE SIZE
32-0100 SKT	5	5	4	SELECTOR NUMBER
32-0500 PIN				

USE WITH M309

DATAPLATE

LOCATOR	
HOLE DIMENSIONS	ADDITIONAL FEATURES
ø.120 ∓.812	L ∟ ø.267 ∓.767

RESTRICTED & CONFIDENTIAL

CONFIDENTIAL PROPERTY OF DANIELS MANUFACTURING CORP. NOT TO BE DISCLOSED TO OTHERS, REPRODUCED OR USED FOR ANY OTHER PURPOSE, EXCEPT AS AUTHORIZED IN WRITING BY DANIELS MANUFACTURING. MUST BE RETURNED TO DANIELS MANUFACTURING CORP. ON COMPLETION OF ORDER OR OTHER PURPOSE FOR WHICH LENT.

DO NOT SCALE DRAWING

DRN.	DATE	TITLE	WHERE USED:	CAD P/N	SHEET	REV.
A. MOO-YOUNG	5-20-99	Daniel's Manufacturing Corp. ENVELOPE DRAWING SINGLE POSITION HEAD	M309	TP1150-ENV	1	1
CHK'D. RRR	DATE 5-20-99					
APP'D. DATE	DATE					

NOTE: THIS DRAWING IS AN OUTLINE DRAWING OF THE RESPECTIVE DMC PART NUMBER INDICATED. ACTUAL DMC PART NUMBER IS DRAWING NUMBER WITHOUT THE "-ENV" SUFFIX.