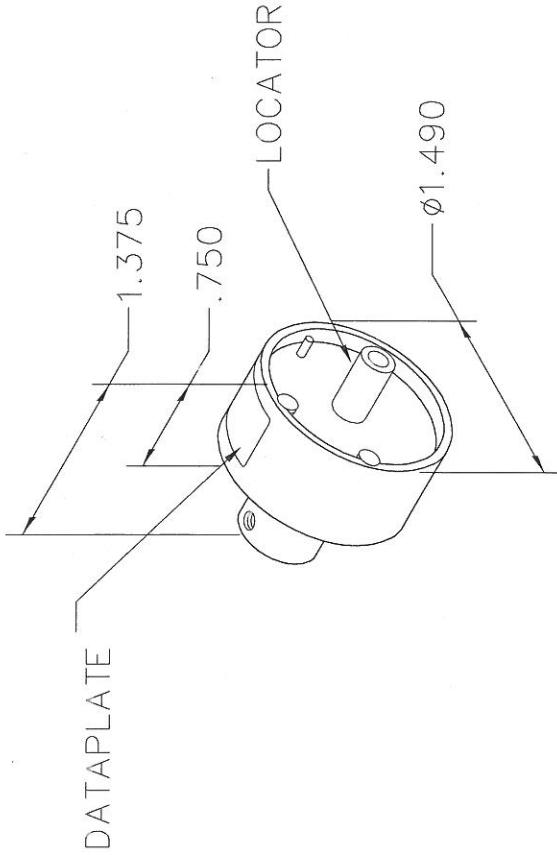


REVISIONS

REV. SYM.	E.C.O. NUMBER	DESCRIPTION	BY DATE	APP'D DATE
1		ORIGINAL RELEASE	AAM 2-15-02	RRR 2-15-02

**UNCONTROLLED DOCUMENT  
WILL NOT BE UPDATED**

**DIMENSIONS IN INCHES - UNLESS OTHERWISE SPECIFIED**



ALDEN CONTACT	24	22	20	WIRE SIZE
PA-9114P	6	6	7	SELECTOR NUMBER

DATAPLATE

LOCATOR	
HOLE DIMENSIONS	ADDITIONAL FEATURES
Ø.113 ∇.714	

**RESTRICTED & CONFIDENTIAL**

CONFIDENTIAL PROPERTY OF DANIELS MANUFACTURING CORP. NOT TO BE DISCLOSED TO OTHERS, REPRODUCED OR USED FOR ANY OTHER PURPOSE, EXCEPT AS AUTHORIZED IN WRITING BY DANIELS MANUFACTURING. MUST BE RETURNED TO DANIELS MANUFACTURING CORP. ON COMPLETION OF ORDER OR OTHER PURPOSE FOR WHICH LENT.

**DO NOT SCALE DRAWING**

DRN. A. MOO-YOUNG	DATE 2-15-02
CHK'D. RRR	DATE 2-15-02
APP'D.	DATE
APP'D.	DATE

**NOTE:**  
THIS DRAWING IS AN OUTLINE DRAWING OF THE RESPECTIVE DMC PART NUMBER INDICATED. ACTUAL DMC PART NUMBER IS DRAWING NUMBER WITHOUT THE "-ENV" SUFFIX.

**DMC** DANIELS MANUFACTURING CORP.  
ORLANDO, FLORIDA  
CAGE 11851

TITLE: ENVELOPE DRAWING  
SINGLE POSITION HEAD

WHERE USED: AFB

SIZE A	SCALE NTS	CAD P/N TP1148-ENV	SHEET 1	OF 1
POSTING	DWG. NO. TP1148-ENV	REV. 1		