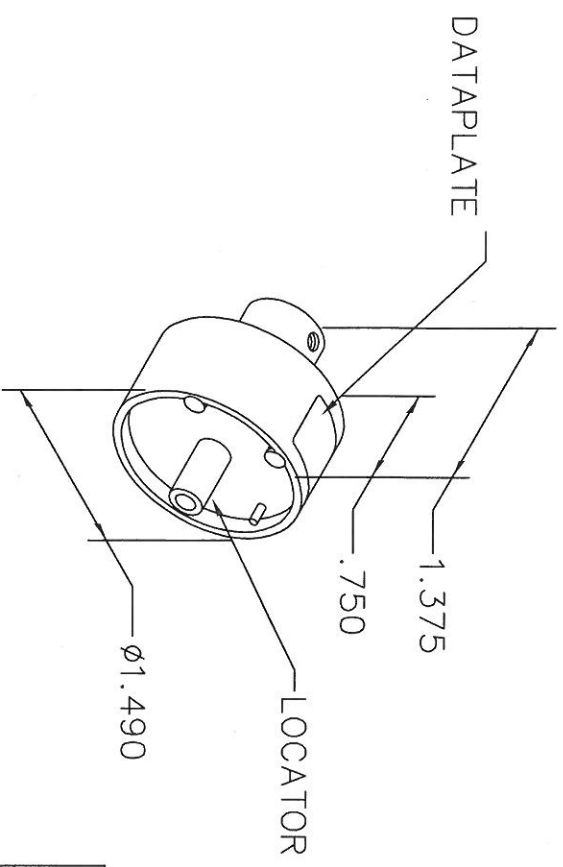


REVISIONS				
REV. SYM.	E.C.O. NUMBER	DESCRIPTION	BY DATE	APP'D DATE
1		ORIGINAL RELEASE	JMU 2/18/03	RRR 2/18/03

**UNCONTROLLED DOCUMENT  
WILL NOT BE UPDATED**

**DIMENSIONS IN INCHES - UNLESS OTHERWISE SPECIFIED**



HARTING CONTACTS	6 mm <sup>2</sup>	WIRE SIZE
09 32 000 6108	7	SELECTOR NUMBER
09 32 000 6208		

USE WITH WA27-309-EP

DATAPLATE

LOCATOR	
HOLE DIMENSIONS	ADDITIONAL FEATURES
ø.161 ∓.841	L ∓ø.240 ∓.625

**RESTRICTED & CONFIDENTIAL**

CONFIDENTIAL PROPERTY OF DANIELS MANUFACTURING CORP. NOT TO BE DISCLOSED TO OTHERS, REPRODUCED OR USED FOR ANY OTHER PURPOSE, EXCEPT AS AUTHORIZED IN WRITING BY DANIELS MANUFACTURING. MUST BE RETURNED TO DANIELS MANUFACTURING CORP. ON COMPLETION OF ORDER OR OTHER PURPOSE FOR WHICH LENT.

**DO NOT SCALE DRAWING**

DRN.	J. JOYCE	DATE	2/18/03
CHK'D.	RRR	DATE	2/18/03
APP'D.		DATE	
APP'D.		DATE	

NOTE: THIS DRAWING IS AN OUTLINE DRAWING OF THE RESPECTIVE DMC PART NUMBER INDICATED. ACTUAL DMC PART NUMBER IS DRAWING NUMBER WITHOUT THE "-ENV" SUFFIX.

WHERE USED: WA27-M309-EP

SIZE	SCALE	CAD P/N	SHEET	OF
A	NTS	TP1137-ENV	1	1

DANIELS MANUFACTURING CORP.  
ORLANDO, FLORIDA  
CAGE 11851

ENVELOPE DRAWING  
SINGLE POSITION HEAD

DWG. NO. TP1137-ENV

REV. 1