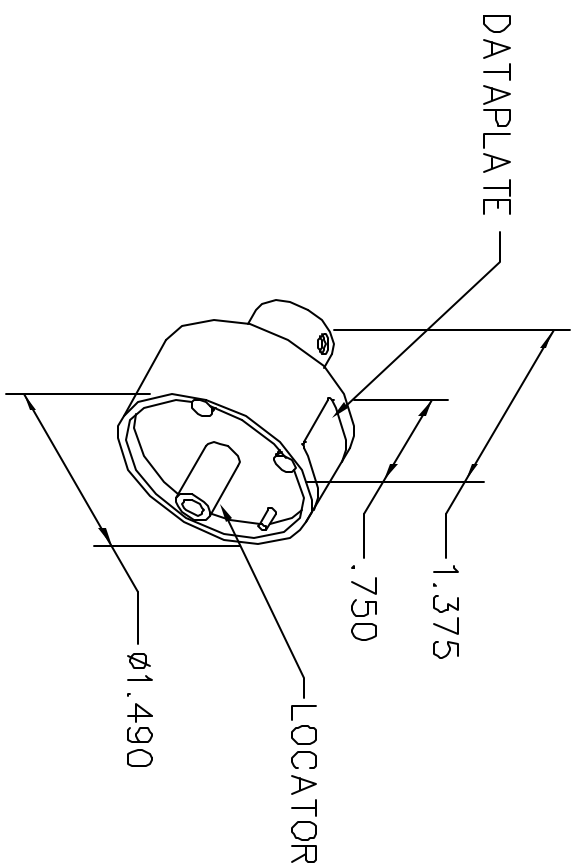


REVISIONS				
REV. SYM.	E.C.O. NUMBER	DESCRIPTION	BY DATE	APP'D DATE
2		REVISED DATAPLATE	AAM 2-21-02	RRR 2-21-02

**UNCONTROLLED DOCUMENT
WILL NOT BE UPDATED**



POSITRONIC	20	18	16	WIRE SIZE
MC112N-133.3				
MC116N-133.3	5	5	6	SELECTOR NUMBER
MC120N-133.3				

DATAPLATE

LOCATOR	
HOLE DIMENSIONS	ADDITIONAL FEATURES
ø.067 ▽ 1.14 MIN.	L □ ø.129 ▽ .189

RESTRICTED & CONFIDENTIAL

CONFIDENTIAL PROPERTY OF DANIELS MANUFACTURING CORP. NOT TO BE DISCLOSED TO OTHERS, REPRODUCED OR USED FOR ANY OTHER PURPOSE, EXCEPT AS AUTHORIZED IN WRITING BY DANIELS MANUFACTURING. MUST BE RETURNED TO DANIELS MANUFACTURING CORP. ON COMPLETION OF ORDER OR OTHER PURPOSE FOR WHICH LENT.

DO NOT SCALE DRAWING

DRAWN A. MOO-YOUNG	DATE 9-17-99
CHECKED RRR	DATE 9-17-99
APPROVED APP'D.	DATE



DANIELS MANUFACTURING CORP.
ORLANDO, FLORIDA
CAGE 11851

TITLE
**ENVELOPE DRAWING
SINGLE POSITION HEAD**

WHERE USED: AFB	CAD P/N	SHEET	OF
SIZE SCALE A NTS	TP1110-ENV	1	1
POSTING	P/N	REV.	
	TP1110-ENV	2	