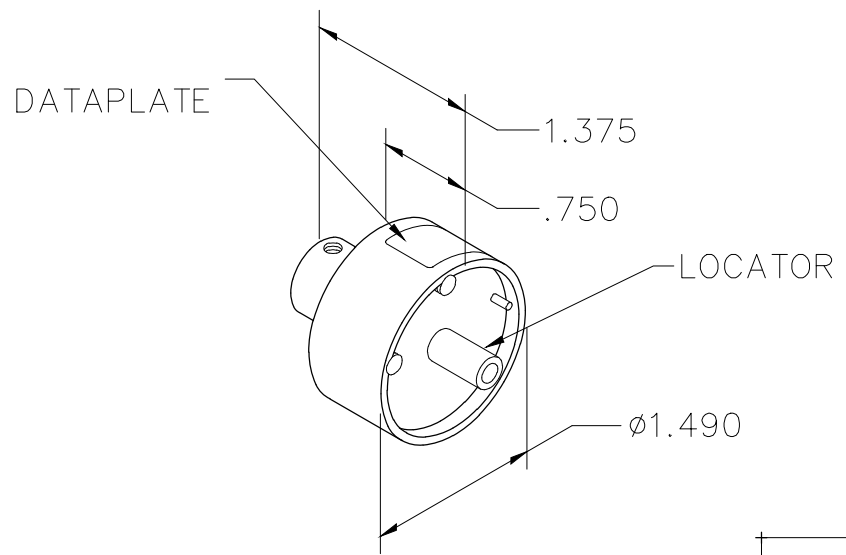


REVISIONS				
REV. SYM.	E.C.O. NUMBER	DESCRIPTION	BY DATE	APP'D DATE
1		ORIGINAL RELEASE	AAM 11-8-01	RRR 11-8-01
2	21800	DATAPLATE CHANGE	TD 6-30-10	




**UNCONTROLLED DOCUMENT
WILL NOT BE UPDATED**

FCT CONTACTS	20	18	16	14	12	10	8	WIRE SIZE
FMP043P***, FMP341P***	2	2	3					SELECTOR NUMBER
FMP018P***, FMP336P***				4	5			
FMP132P***						6	7	

USE WITH M309

DATAPLATE


LOCATOR	
HOLE DIMENSIONS	ADDITIONAL FEATURES
$\phi .147$ $\nabla .84$ MIN.	 $\phi .221$ $\nabla .294$

RESTRICTED & CONFIDENTIAL

CONFIDENTIAL PROPERTY OF DANIELS MANUFACTURING CORP. NOT TO BE DISCLOSED TO OTHERS, REPRODUCED OR USED FOR ANY OTHER PURPOSE, EXCEPT AS AUTHORIZED IN WRITING BY DANIELS MANUFACTURING. MUST BE RETURNED TO DANIELS MANUFACTURING CORP. ON COMPLETION OF ORDER OR OTHER PURPOSE FOR WHICH LENT.

DO NOT SCALE DRAWING

DRN. A. MOO-YOUNG	DATE 11-8-01
CHK'D. RRR	DATE 11-8-01
APP'D.	DATE
APP'D.	DATE
NOTE: THIS DRAWING IS AN OUTLINE DRAWING OF THE RESPECTIVE DMC PART NUMBER INDICATED. ACTUAL DMC PART NUMBER IS DRAWING NUMBER WITHOUT THE "-ENV" SUFFIX.	



DANIELS MANUFACTURING CORP.
ORLANDO, FLORIDA
CAGE 11851

TITLE
ENVELOPE DRAWING
SINGLE POSITION HEAD

WHERE USED: M309

SIZE A	SCALE NTS	CAD P/N TP1075-ENV	SHEET 1	OF 1
POSTING		DWG. NO. TP1075-ENV	REV. 2	