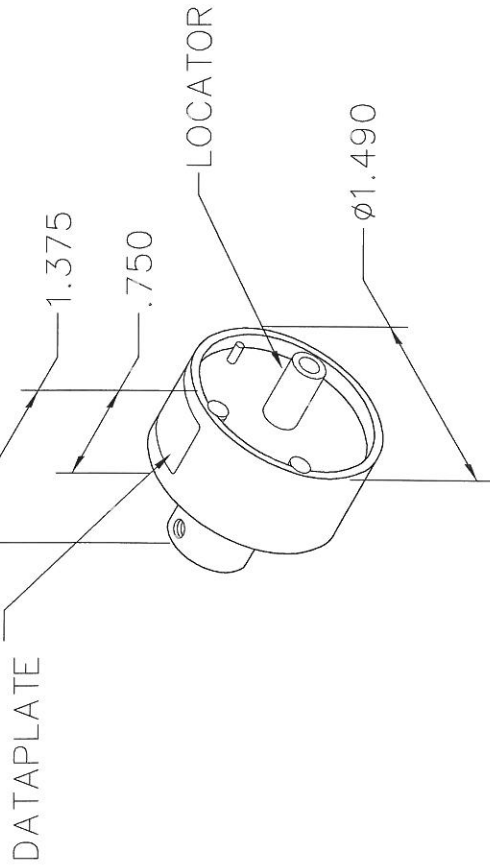


REVISIONS

REV. SYM.	E.C.O. NUMBER	DESCRIPTION	BY DATE	APP'D DATE
1		ORIGINAL RELEASE	AAM 3-1-00	RRR 3-1-00
2	23093	LOCATOR CHANGE	TD 10-10-13	



AMP CONTACTS	8 AWG	WIRE
193990 SOCKET TYPE XII	6	SEL. NO.
USE WITH M310		

DATAPLATE

LOCATOR	ADDITIONAL FEATURES
ø.149	└─┘ ø.244
∇1.035	∇.914
	└─┘ ø.354
	∇.46

RESTRICTED & CONFIDENTIAL

CONFIDENTIAL PROPERTY OF DANIELS MANUFACTURING CORP. NOT TO BE DISCLOSED TO OTHERS, REPRODUCED OR USED FOR ANY OTHER PURPOSE, EXCEPT AS AUTHORIZED IN WRITING BY DANIELS MANUFACTURING. MUST BE RETURNED TO DANIELS MANUFACTURING CORP. ON COMPLETION OF ORDER OR OTHER PURPOSE FOR WHICH LENT.

DO NOT SCALE DRAWING

DRN. A. MOO-YOUNG	DATE 3-1-00
CHK'D. RRR	DATE 3-1-00
APP'D.	DATE
APP'D.	DATE

NOTE:
THIS DRAWING IS AN OUTLINE DRAWING OF THE RESPECTIVE DMC PART NUMBER INDICATED. ACTUAL DMC PART NUMBER IS DRAWING NUMBER WITHOUT THE "-ENV" SUFFIX.

DMC DANIELS MANUFACTURING CORP.
ORLANDO, FLORIDA
CAGE 11851

TITLE: ENVELOPE DRAWING
SINGLE POSITION HEAD

WHERE USED: M310

SIZE A	SCALE NTS	CAD P/N TP1068-ENV	SHEET 1	OF 1
POSTING			DWG. NO. TP1068-ENV	REV. 2