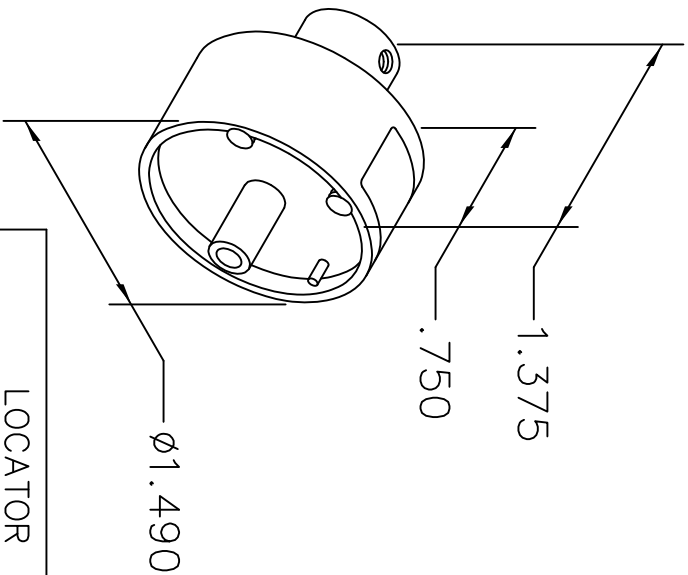


REVISIONS

REV. SYM.	E.C.O. NUMBER	DESCRIPTION	BY DATE	APP'D DATE
2		REDESIGNED DATAPLATE	DUNG CAO 7-28-95	DE 7-95

**UNCONTROLLED DOCUMENT
WILL NOT BE UPDATED**



LOCATOR	
HOLE DIMENSIONS	ADDITIONAL FEATURES
\varnothing .125 ∇ 1.838	\sqsubset \varnothing .323 ∇ 1.307

CKB CONTACTS	1.34mm ²	2.61mm ²	WIRE SIZE
SE1239-007(P)	4	4	SELECTOR
SE0692-130(S)	4	4	NUMBER

USE WITH M317

DATAPLATE

RESTRICTED & CONFIDENTIAL	
CONFIDENTIAL PROPERTY OF DANIELS MANUFACTURING CORP. NOT TO BE DISCLOSED TO OTHERS, REPRODUCED OR USED FOR ANY OTHER PURPOSE, EXCEPT AS AUTHORIZED IN WRITING BY DANIELS MANUFACTURING. MUST BE RETURNED TO DANIELS MANUFACTURING CORP. ON COMPLETION OF ORDER OR OTHER PURPOSE FOR WHICH LENT.	
MATERIAL	HEAT TREAT
FINISH	

ITEM	PART NO.	QTY.	DESCRIPTION/REMARKS
DRN. DUNG CAO	DATE 7-28-95		
CHK'D. DE	DATE 7-95		
APP'D.	DATE		
APP'D.	DATE		

NOTE:

THIS DRAWING IS AN OUTLINE DRAWING OF THE RESPECTIVE DMC PART NUMBER INDICATED. ACTUAL DMC PART NUMBER IS DRAWING NUMBER WITHOUT THE "-ENV" SUFFIX.

WHERE USED: M317	TITLE	DANIELS MANUFACTURING CORP. ORLANDO, FLORIDA CAGE 11851
	SINGLE POSITION HEAD ENVELOPE DRAWING	

SIZE A	SCALE NTS	CAD P/N TP1065-ENV	SHEET 1	OF 1
--------	-----------	--------------------	---------	------

POSTING	DWG. NO. TP1065-ENV	REV. 2
---------	---------------------	--------

DO NOT SCALE DRAWING