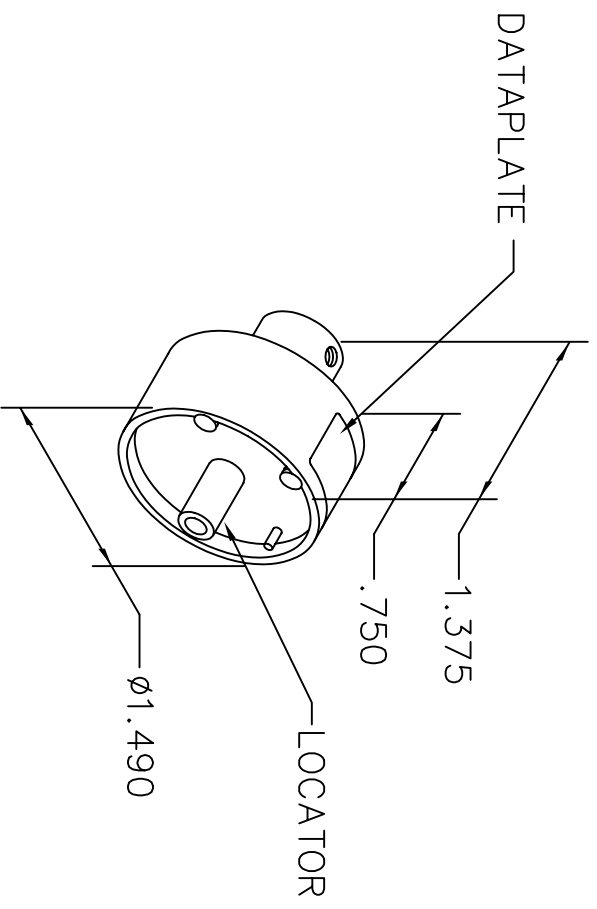


REVISIONS				
REV. SYM.	E.C.O. NUMBER	DESCRIPTION	BY DATE	APP'D DATE
1		ORIGINAL RELEASE	JWJ 10/3/03	RRR 10/3/03

**UNCONTROLLED DOCUMENT  
WILL NOT BE UPDATED**



HARTING CONTACTS	8	10	WIRE SIZE
090300006214.99		3	SELECTOR NUMBER
090300006215	7		
USE WITH M300BT			


DATAPLATE

LOCATOR	
HOLE DIMENSIONS	ADDITIONAL FEATURES
$\varnothing .228$ $\nabla .604$	

**RESTRICTED & CONFIDENTIAL**

CONFIDENTIAL PROPERTY OF DANIELS MANUFACTURING CORP. NOT TO BE DISCLOSED TO OTHERS, REPRODUCED OR USED FOR ANY OTHER PURPOSE, EXCEPT AS AUTHORIZED IN WRITING BY DANIELS MANUFACTURING. MUST BE RETURNED TO DANIELS MANUFACTURING CORP. ON COMPLETION OF ORDER OR OTHER PURPOSE FOR WHICH LENT.

DO NOT SCALE DRAWING

DRN. J. JOYCE	DATE 10/3/03	TITLE	
CHK'D. RRR	DATE 10/3/03	ENVELOPE DRAWING SINGLE POSITION HEAD	
APP'D.	DATE	WHERE USED: M300BT	
APP'D.	DATE	 DANIELS MANUFACTURING CORP. ORLANDO, FLORIDA CAGE 11851	
NOTE: THIS DRAWING IS AN OUTLINE DRAWING OF THE RESPECTIVE DMC PART NUMBER INDICATED. ACTUAL DMC PART NUMBER IS DRAWING NUMBER WITHOUT THE "-ENV" SUFFIX.		SIZE A	SHEET 1 OF 1
		SCALE NTS	REV. 1
		CAD P/N TP1059-ENV	
		DWG. NO. TP1059-ENV	