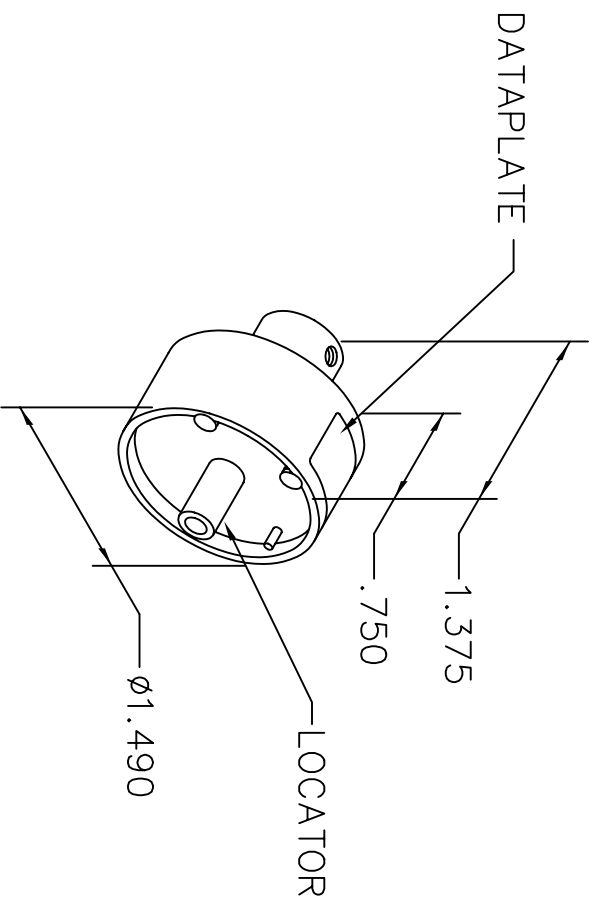


| REVISIONS |               |                  |            |            |
|-----------|---------------|------------------|------------|------------|
| REV. SYM. | E.C.O. NUMBER | DESCRIPTION      | BY DATE    | APP'D DATE |
| 1         |               | ORIGINAL RELEASE | AAM 9-3-98 | DE 9-3-98  |

**UNCONTROLLED DOCUMENT  
WILL NOT BE UPDATED**



| ARRAY CONNECTOR CORP. | 16 | 14 | 12 | WIRE SIZE |
|-----------------------|----|----|----|-----------|
| 806-0599-000A         |    |    | 5  | SEL. NO.  |
| 857-0591-130/A        |    |    |    |           |
| 806-0599-000B         | 5  | 5  |    |           |
| 857-0591-130/B        |    |    |    |           |
| USE WITH M310         |    |    |    |           |


DATAPLATE

| LOCATOR         |                     |
|-----------------|---------------------|
| HOLE DIMENSIONS | ADDITIONAL FEATURES |
| ∅.129           | ┌ ∅.246             |
| ∇ 1.14 MIN.     | ∇ .189              |
|                 | ┌ ∅.218             |
|                 | ∇ .94               |

**RESTRICTED & CONFIDENTIAL**

CONFIDENTIAL PROPERTY OF DANIELS MANUFACTURING CORP. NOT TO BE DISCLOSED TO OTHERS, REPRODUCED OR USED FOR ANY OTHER PURPOSE, EXCEPT AS AUTHORIZED IN WRITING BY DANIELS MANUFACTURING. MUST BE RETURNED TO DANIELS MANUFACTURING CORP. ON COMPLETION OF ORDER OR OTHER PURPOSE FOR WHICH LENT.

**DO NOT SCALE DRAWING**

|   |             |  |
|---|-------------|--|
| DRN. A. MOO-YOUNG   | DATE 9-3-98 | <br>DANIELS MANUFACTURING CORP.<br>ORLANDO, FLORIDA<br>CAGE 11851 |
| CHK'D. DE   | DATE 9-3-98 |  |
| APP'D.  | DATE        |  |
| NOTE: THIS DRAWING IS AN OUTLINE DRAWING OF THE RESPECTIVE DMC PART NUMBER INDICATED. ACTUAL DMC PART NUMBER IS DRAWING NUMBER WITHOUT THE "-ENV" SUFFIX. |             | TITLE: ENVELOPE DRAWING<br>SINGLE POSITION HEAD  |
| WHERE USED: M310  |             | CAD P/N: TP1041-ENV<br>SHEET 1 OF 1  |
| SIZE A  |             | DWG. NO.: TP1041-ENV<br>REV. 1   |
| POSTING   |             |  |