

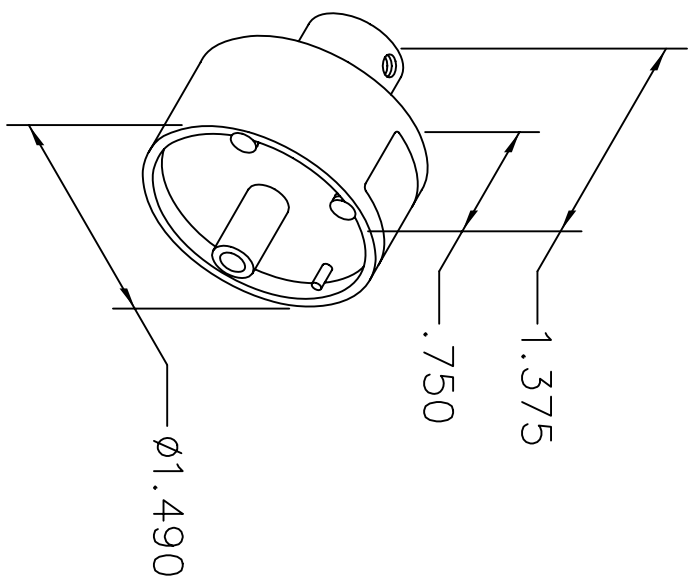
UNCONTROLLED DOCUMENT WILL NOT BE UPDATED

REVISIONS			BY DATE	APP'D DATE
REV. SYM.	E.C.O. NUMBER	DESCRIPTION	DUNG CAO 7-28-95	DE 7-95
1		ORIGINAL RELEASE		

CONTACT	1mm ²	WIRE SIZE
CKB	1	SELECTOR NUMBER
S24265-000A3 (S)		
USE WITH M317		

DATAPLATE

LOCATOR	ADDITIONAL FEATURES
HOLE DIMENSIONS	\square ϕ .261 ∇ .870
ϕ .199	
∇ .870	



RESTRICTED & CONFIDENTIAL

CONFIDENTIAL PROPERTY OF DANIELS MANUFACTURING CORP. NOT TO BE DISCLOSED TO OTHERS, REPRODUCED OR USED FOR ANY OTHER PURPOSE, EXCEPT AS AUTHORIZED IN WRITING BY DANIELS MANUFACTURING. MUST BE RETURNED TO DANIELS MANUFACTURING CORP. ON COMPLETION OF ORDER OR OTHER PURPOSE FOR WHICH LENT.

MATERIAL	HEAT TREAT	FINISH
/	/	/

ITEM	PART NO.	DATE
DRN. DUNG CAO		7-28-95
CHK'D. DE		7-95
APP'D. /		/
APP'D. /		/

NOTE:
THIS DRAWING IS AN OUTLINE DRAWING OF THE RESPECTIVE DMC PART NUMBER INDICATED. ACTUAL DMC PART NUMBER IS DRAWING NUMBER WITHOUT THE "-ENV" SUFFIX.

WHERE USED: M317

DMC
 DANIELS MANUFACTURING CORP.
 ORLANDO, FLORIDA
 CAGE 11851

TITLE
 ENVELOPE DRAWING
 SINGLE POSITION HEAD

DO NOT SCALE DRAWING							
POSTING	SCALE	CAD P/N	SHEET	OF	REV.	1	1
A	NTS	TP1035-ENV	1	1	1	1	1
/	/	/	/	/	/	/	/
/	/	/	/	/	/	/	/
/	/	/	/	/	/	/	/
/	/	/	/	/	/	/	/
/	/	/	/	/	/	/	/
/	/	/	/	/	/	/	/
/	/	/	/	/	/	/	/
/	/	/	/	/	/	/	/
/	/	/	/	/	/	/	/
/	/	/	/	/	/	/	/
/	/	/	/	/	/	/	/
/	/	/	/	/	/	/	/
/	/	/	/	/	/	/	/
/	/	/	/	/	/	/	/
/	/	/	/	/	/	/	/
/	/	/	/	/	/	/	/
/	/	/	/	/	/	/	/
/	/	/	/	/	/	/	/
/	/	/	/	/	/	/	/
/	/	/	/	/	/	/	/
/	/	/	/	/	/	/	/
/	/	/	/	/	/	/	/
/	/	/	/	/	/	/	/
/	/	/	/	/	/	/	/
/	/	/	/	/	/	/	/
/	/	/	/	/	/	/	/
/	/	/	/	/	/	/	/
/	/	/	/	/	/	/	/
/	/	/	/	/	/	/	/
/	/	/	/	/	/	/	/
/	/	/	/	/	/	/	/
/	/	/	/	/	/	/	/
/	/	/	/	/	/	/	/
/	/	/	/	/	/	/	/
/	/	/	/	/	/	/	/
/	/	/	/	/	/	/	/
/	/	/	/	/	/	/	/
/	/	/	/	/	/	/	/
/	/	/	/	/	/	/	/
/	/	/	/	/	/	/	/
/	/	/	/	/	/	/	/
/	/	/	/	/	/	/	/
/	/	/	/	/	/	/	/
/	/	/	/	/	/	/	/
/	/	/	/	/	/	/	/
/	/	/	/	/	/	/	/
/	/	/	/	/	/	/	/
/	/	/	/	/	/	/	/
/	/	/	/	/	/	/	/
/	/	/	/	/	/	/	/
/	/	/	/	/	/	/	/
/	/	/	/	/	/	/	/
/	/	/	/	/	/	/	/
/	/	/	/	/	/	/	/
/	/	/	/	/	/	/	/
/	/	/	/	/	/	/	/
/	/	/	/	/	/	/	/
/	/	/	/	/	/	/	/
/	/	/	/	/	/	/	/
/	/	/	/	/	/	/	/
/	/	/	/	/	/	/	/
/	/	/	/	/	/	/	/
/	/	/	/	/	/	/	/
/	/	/	/	/	/	/	/
/	/	/	/	/	/	/	/
/	/	/	/	/	/	/	/
/	/	/	/	/	/	/	/
/	/	/	/	/	/	/	/
/	/	/	/	/	/	/	/
/	/	/	/	/	/	/	/
/	/	/	/	/	/	/	/
/	/	/	/	/	/	/	/
/	/	/	/	/	/	/	/
/	/	/	/	/	/	/	/
/	/	/	/	/	/	/	/
/	/	/	/	/	/	/	/
/	/	/	/	/	/	/	/
/	/	/	/	/	/	/	/
/	/	/	/	/	/	/	/
/	/	/	/	/	/	/	/
/	/	/	/	/	/	/	/
/	/	/	/	/	/	/	/
/	/	/	/	/	/	/	/
/	/	/	/	/	/	/	/
/	/	/	/	/	/	/	/
/	/	/	/	/	/	/	/
/	/	/	/	/	/	/	/
/	/	/	/	/	/	/	/
/	/	/	/	/	/	/	/
/	/	/	/	/	/	/	/
/	/	/	/	/	/	/	/
/	/	/	/	/	/	/	/
/	/	/					