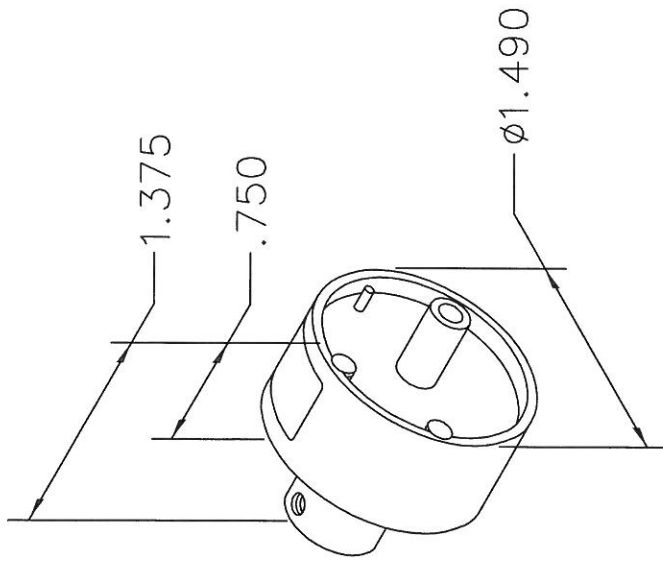


**UNCONTROLLED DOCUMENT
WILL NOT BE UPDATED**

DIMENSIONS IN INCHES - UNLESS OTHERWISE SPECIFIED



CONTACT	CRIMP TO RESISTOR	USE WITH WA27AN TOOL
EWC L00205		

LOCATOR	
HOLE DIMENSIONS	ADDITIONAL FEATURES
ϕ .180 ∇ 1.178	ϕ .238 \sqcup ∇ 1.03

REVISIONS

REV. SYM.	E.C.O. NUMBER	DESCRIPTION	BY DATE	APP'D DATE
1		ORIGINAL RELEASE	DUNG CAO 7-28-95	DE 7-95

RESTRICTED & CONFIDENTIAL		MATERIAL		ITEM	PART NO.	QTY.	DESCRIPTION/REMARKS
CONFIDENTIAL PROPERTY OF DANIELS MANUFACTURING CORP. NOT TO BE DISCLOSED TO OTHERS, REPRODUCED OR USED FOR ANY OTHER PURPOSE, EXCEPT AS AUTHORIZED IN WRITING BY DANIELS MANUFACTURING. MUST BE RETURNED TO DANIELS MANUFACTURING CORP. ON COMPLETION OF ORDER OR OTHER PURPOSE FOR WHICH LENT.		HEAT TREAT		DRN.	DUNG CAO	DATE	DMC DANIELS MANUFACTURING CORP. ORLANDO, FLORIDA CAGE 11851
		FINISH		CHK'D.	DE	DATE	
				APP'D.		DATE	
				APP'D.		DATE	
		NOTE: THIS DRAWING IS AN OUTLINE DRAWING OF THE RESPECTIVE DMC PART NUMBER INDICATED. ACTUAL DMC PART NUMBER IS DRAWING NUMBER WITHOUT THE "-ENV" SUFFIX.				TITLE SINGLE POSITION HEAD ENVELOPE DRAWING	
DO NOT SCALE DRAWING				SIZE	SCALE	CAD P/N	SHEET OF
				A	NTS	TP1027-ENV	1 1
				POSTING	DWG. NO.		REV.
					TP1027-ENV		1