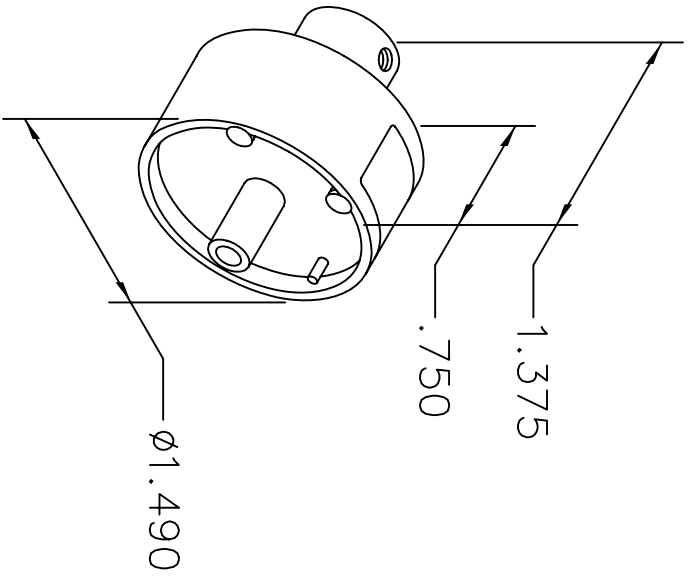


**UNCONTROLLED DOCUMENT  
WILL NOT BE UPDATED**



REV. SYM.		E.C.O. NUMBER	DESCRIPTION	BY DATE	APP'D DATE
1			ORIGINAL RELEASE	DUNG CAO 7-28-95	DE 7-95

CKB CONTACT	6mm <sup>2</sup>	WIRE SIZE
S24296-000B3 (P)	6	SELECTOR NUMBER
S24263-000B3 (S)		
USE WITH M317		

LOCATOR	
HOLE DIMENSIONS	ADDITIONAL FEATURES
ø.328	
⊥ 1.074	

<p><b>RESTRICTED &amp; CONFIDENTIAL</b></p> <p>CONFIDENTIAL PROPERTY OF DANIELS MANUFACTURING CORP. NOT TO BE DISCLOSED TO OTHERS, REPRODUCED OR USED FOR ANY OTHER PURPOSE, EXCEPT AS AUTHORIZED IN WRITING BY DANIELS MANUFACTURING. MUST BE RETURNED TO DANIELS MANUFACTURING CORP. ON COMPLETION OF ORDER OR OTHER PURPOSE FOR WHICH LENT.</p>		MATERIAL		HEAT TREAT		FINISH	
		ITEM		PART NO.		QTY.	
DRN.	DUNG CAO	DATE	7-28-95	APP'D.	DE	DATE	7-95
CHK'D.	DE	DATE	7-95	APP'D.		DATE	
<p><b>NOTE:</b> THIS DRAWING IS AN OUTLINE DRAWING OF THE RESPECTIVE DMC PART NUMBER INDICATED. ACTUAL DMC PART NUMBER IS DRAWING NUMBER WITHOUT THE "-ENV" SUFFIX.</p>							
TITLE		<p><b>DMC</b> DANIELS MANUFACTURING CORP. ORLANDO, FLORIDA CAGE 11851</p> <p>SINGLE POSITION HEAD ENVELOPE DRAWING</p>					
WHERE USED: M317		SIZE	A	SCALE	NTS	CAD P/N	TP1024-ENV
POSTING				SHEET		1 OF 1	
DWG. NO.		TP1024-ENV		REV.		1	
DO NOT SCALE DRAWING							