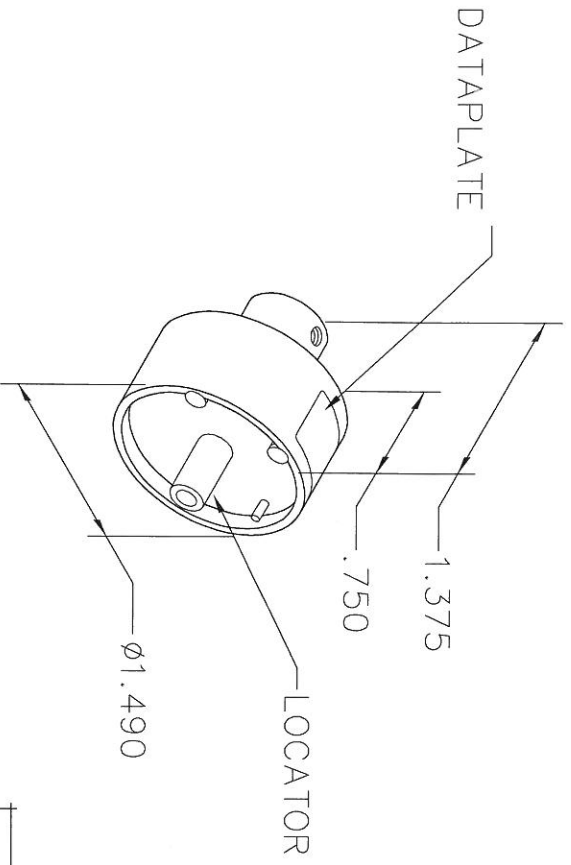


REVISIONS				
REV. SYM.	E.C.O. NUMBER	DESCRIPTION	BY DATE	APP'D DATE
1		ORIGINAL RELEASE	TD 8-23-12	

**UNCONTROLLED DOCUMENT
WILL NOT BE UPDATED**

DIMENSIONS IN INCHES - UNLESS OTHERWISE SPECIFIED




FRAMATOME CONNECTORS		POSITIONER HEAD 8949 1808	
FRANCE SOURIAU			
CONTACTS ESA/SCC	16	WIRE SIZE	BASIC TOOL
P-340100505B		SELECTOR NUMBER	M22520/1-01
S-340100506B	5		USE WITH

DATAPLATE

LOCATOR	
HOLE DIMENSIONS	ADDITIONAL FEATURES
∅.076	└┘ ∅.086
∇.66	∇.259

RESTRICTED & CONFIDENTIAL

CONFIDENTIAL PROPERTY OF DANIELS MANUFACTURING CORP. NOT TO BE DISCLOSED TO OTHERS, REPRODUCED OR USED FOR ANY OTHER PURPOSE, EXCEPT AS AUTHORIZED IN WRITING BY DANIELS MANUFACTURING. MUST BE RETURNED TO DANIELS MANUFACTURING CORP. ON COMPLETION OF ORDER OR OTHER PURPOSE FOR WHICH LENT.

DRN. <i>Gery Dilworth</i>	DATE 8-23-12	 DANIELS MANUFACTURING CORP. ORLANDO, FLORIDA CAGE 11851
CHK'D.	DATE	
APP'D.	DATE	TITLE ENVELOPE DRAWING SINGLE POSITION HEAD
APP'D.	DATE	
NOTE: THIS DRAWING IS AN OUTLINE DRAWING OF THE RESPECTIVE DMC PART NUMBER INDICATED. ACTUAL DMC PART NUMBER IS DRAWING NUMBER WITHOUT THE "-ENV" SUFFIX.		WHERE USED: SIZE SCALE CAD P/N SHEET OF A NTS TP1003-ENV 1 1
POSTING P/N TP1003-ENV		REV. OF 1 1