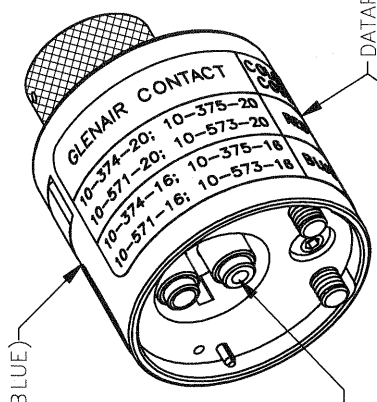
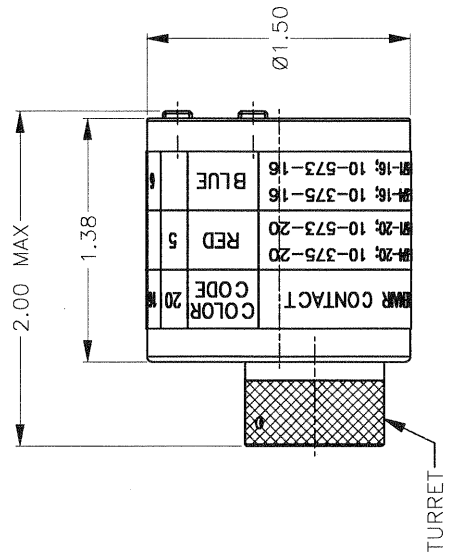
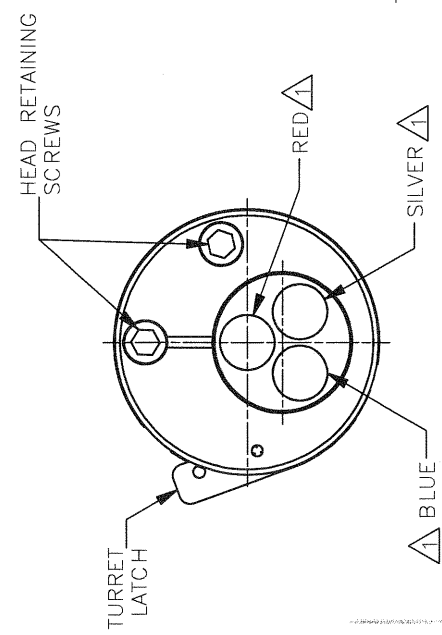


REV. NO.		ECO NUMBER		DESCRIPTION		BY DATE		APP'D DATE	
1	21735	1	21735	ORIGINAL RELEASE		05-10-10			

UNCONTROLLED DOCUMENT
WILL NOT BE UPDATED



GLENAIR CONTACT	COLOR CODE	20	16	WIRE SIZE
10-374-20; 10-375-20	RED	5		SELECTOR No.
10-571-20; 10-573-20	RED		6	
10-374-16; 10-375-16	BLUE			
10-571-16; 10-573-16	BLUE			



▲ RANDOM ORDER OF ROTATION IS ACCEPTABLE

INSERT COLOR	HOLE DIMENSIONS	ADDITIONAL FEATURES
RED	Ø.080 ▽THRU	L-Ø.100 ▽.068
BLACK	Ø.125 ▽THRU	L-Ø.141 ▽.105
SILVER		BLANK

NOTE: FOR USE WITH DANIELS CRIMP TOOLS ACCOMMODATING "TH" SERIES POSITIONERS

DATAPLATE

RESTRICTED & CONFIDENTIAL CONFIDENTIAL PROPERTY OF DANIELS MANUFACTURING CORP. NOT TO BE REPRODUCED OR USED FOR ANY OTHER PURPOSE EXCEPT AS AUTHORIZED IN WRITING BY DANIELS MANUFACTURING CORP. AFTER THE COMPLETION OF ORDER OR OTHER PURPOSE FOR WHICH LENT.		MATERIAL		ITEM		PART NO.		QTY.		DESCRIPTION/REMARKS	
DATE: 05-04-10 DRN: Jerry Shuman CHKD:		HEAT TREAT		DATE: 05-04-10 APP'D:		DATE: 05-04-10 APP'D:		DATE: 05-04-10 APP'D:		DANIELS MANUFACTURING CORP. ORLANDO, FLORIDA CAGE 11851	
FINISH		NOTE: THIS DRAWING IS AN OUTLINE DRAWING OF THE RESPECTIVE DMC PART NUMBER INDICATED. ACTUAL DMC PART NUMBER IS DRAWING NUMBER. THE "-ENV" SUFFIX		WHERE USED: AFB		TURRET HEAD ENVELOPE DRAWING		SCALE: 1.5X		SHEET OF: 1	
DO NOT SCALE DRAWING										REV: 1	