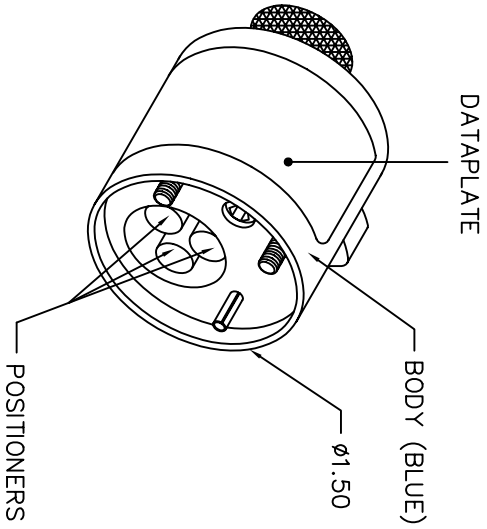
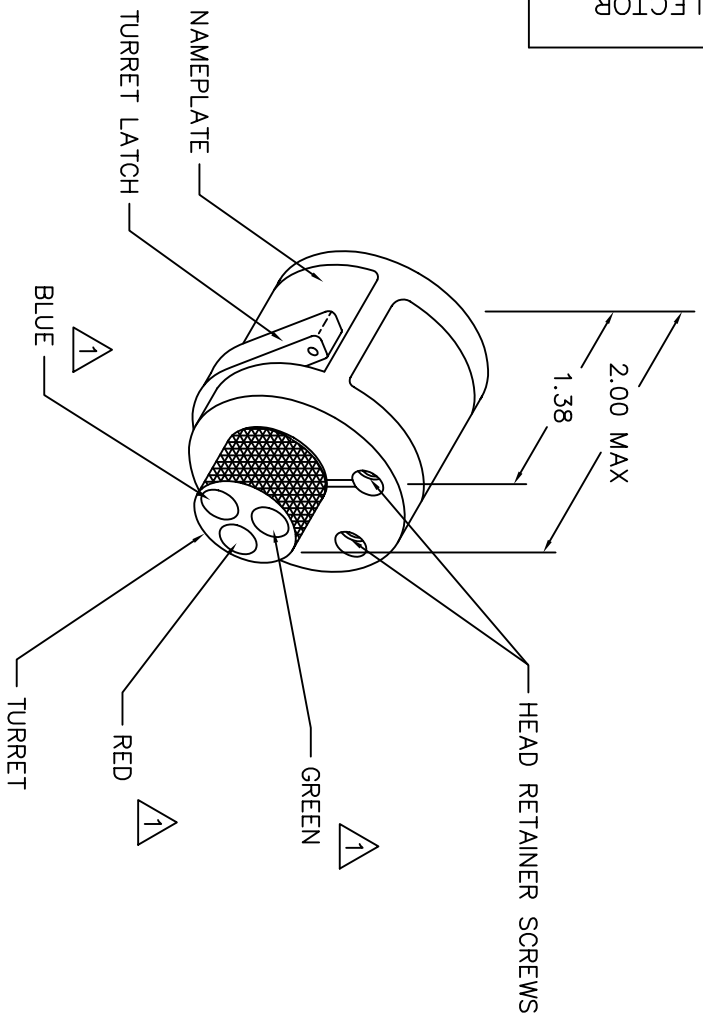


CANNON CONTACTS	COLOR CODE	20	18	16	14	12	WIRE SIZE
330-0351-016	RED	4	5	6			SELECTOR NO.
031-0554-161	RED	4	5	6			
330-0351-012	BLUE				7	8	
031-0560-121	BLUE				7	8	
031-0560-161	GREEN	4	5	6			
	GREEN						



POSITIONER COLOR	* HOLE DIMENSIONS	ADDITIONAL FEATURES
RED	Ø.073 ±.740	□ Ø.136 ±.649
GREEN	Ø.136 ±.993	
BLUE	Ø.191 ±1.082	

* HOLE DEPTH DIMENSIONS ARE MEASURED FROM THE TOP OF THE COLOR CODED POSITIONER INSERTS.



▲ 1 RANDOM ORDER OF ROTATION IS ACCEPTABLE.

REVISIONS			
REV. STYL.	E.C.O. NUMBER	DESCRIPTION	BY DATE APP'D DATE
3		ADDED "CANNON CONTACTS"	5-23-02 RRR 5-23-02

**UNCONTROLLED DOCUMENT
WILL NOT BE UPDATED**

RESTRICTED & CONFIDENTIAL		CONFIDENTIAL PROPERTY OF DANIELS MANUFACTURING CORP. NOT TO BE DISCLOSED TO OTHERS, REPRODUCED OR USED FOR ANY OTHER PURPOSE, EXCEPT AS AUTHORIZED IN WRITING BY DANIELS MANUFACTURING CORP. MUST BE RETURNED TO DANIELS MANUFACTURING CORP. ON COMPLETION OF ORDER OR OTHER PURPOSE FOR WHICH LENT.	
ITEM	PART NO.	QTY.	DESCRIPTION/REMARKS
DRN.	LV		DANIELS MANUFACTURING CORP. ORLANDO, FLORIDA CAGE 11851
DATE	DATE		
12-18-89	12-12-89		
CHK'D.	TS		
DATE	DATE		
12-12-89	12-12-89		
APP'D.	AAM		
DATE	DATE		
12-12-89	12-12-89		
NOTE: THIS DRAWING IS AN OUTLINE DRAWING OF THE RESPECTIVE DIMENSIONS. CAD PART NUMBER AND PART NUMBER UNDER DIM PART NUMBER WITHOUT THE "-ENV" SUFFIX.			
DO NOT SCALE DRAWING		WHERE USED: AFB	
SIZE		CAD P/N	
B NTS		TH70-ENV	
SCALE		SHEET 1 OF 1	
POSTING		REV. 3	
DWG. NO. TH70-ENV			