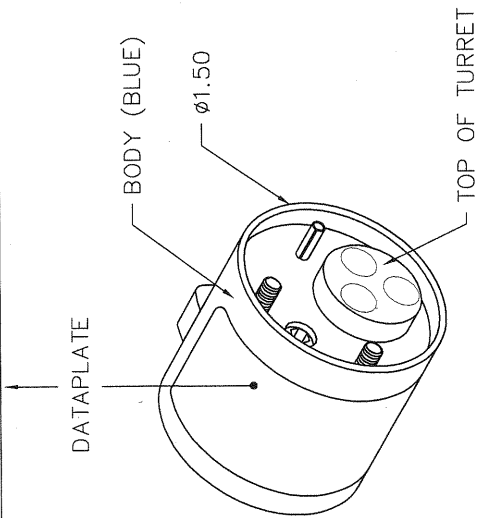
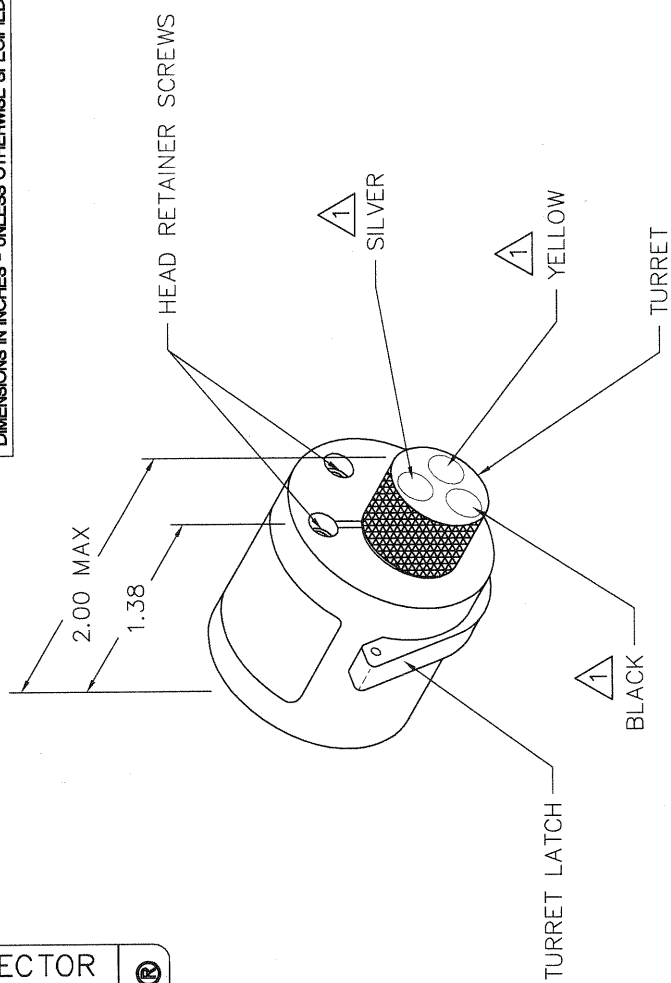


REV. STM.		E.C.O. NUMBER		DESCRIPTION		BY DATE		APP'D DATE	
1		20584		ORIGINAL RELEASE		8-8-11			

**UNCONTROLLED DOCUMENT
WILL NOT BE UPDATED**
DIMENSIONS IN INCHES - UNLESS OTHERWISE SPECIFIED

CONTACT TYPE	COLOR CODE	WIRE SIZE						SELECTOR NO.
		24	22	20	18	16	14	
SOCKET	BLACK	2	3	4	5	6	N/A	
SOCKET	YELLOW	N/A	N/A	N/A	N/A	N/A	N/A	5

P/N TL0002 **APP** ANDERSON POWER PRODUCTS®



POSITIONER COLOR	* HOLE DIMENSIONS	ADDITIONAL FEATURES
BLACK	$\phi .108$ $\nabla .489$	$\phi .134$ $\nabla .200$
YELLOW	$\phi .108$ $\nabla .534$	$\phi .134$ $\nabla .200$
SILVER		

* HOLE DEPTHS AND COUNTERBORES ARE MEASURED FROM TOP OF TURRET.

ITEM	PART NO.	QTY.	DESCRIPTION/REMARKS
1	TH694	1	TURRET HEAD

RESTRICTED & CONFIDENTIAL
CONFIDENTIAL PROPERTY OF DANIELS MANUFACTURING CORP. NOT TO BE DISCLOSED TO OTHERS, REPRODUCED OR USED FOR ANY OTHER PURPOSE, EXCEPT AS AUTHORIZED IN WRITING BY DANIELS MANUFACTURING. THIS DRAWING IS AN OUTLINE DRAWING. IT IS NOT TO BE USED FOR MANUFACTURE OF ORDER OR OTHER PURPOSE FOR WHICH LENT.

NOTE: THIS DRAWING IS AN OUTLINE DRAWING. IT IS NOT TO BE USED FOR MANUFACTURE OF ORDER OR OTHER PURPOSE FOR WHICH LENT.

WHERE USED: AFB

SCALE: B NTS

SIZE: 11 X 17

DATE: 8-8-11

DATE: 8-8-11

DATE: 8-8-11

DATE: 8-8-11

THIS DRAWING IS AN OUTLINE DRAWING. IT IS NOT TO BE USED FOR MANUFACTURE OF ORDER OR OTHER PURPOSE FOR WHICH LENT.

INDICATED. ACTUAL DMC PART NUMBER IS DRAWING NUMBER WITHOUT THE "-ENV" SUFFIX.

DO NOT SCALE DRAWING

CAD P/N: TH694-ENV

DWG. NO.: TH694-ENV

SHEET OF: 1

REV. 1