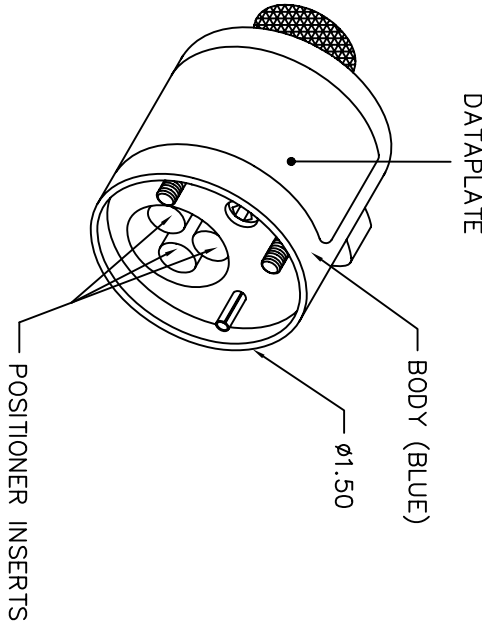


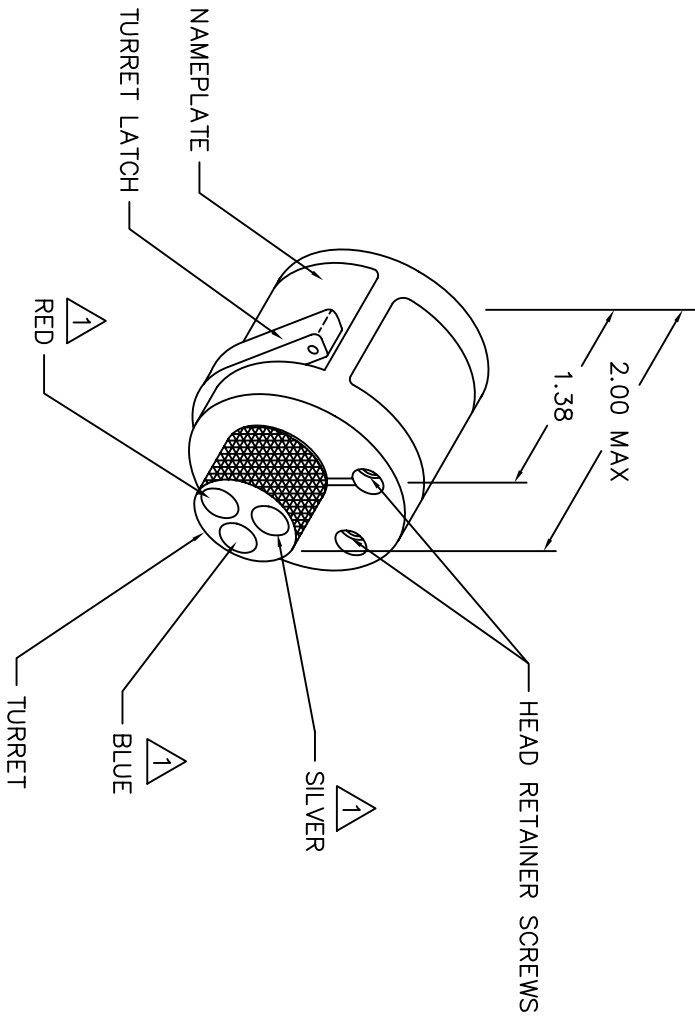
| ITT INDUSTRIES  | COLOR CODE | 0,60 | 0,93 | 1,34 | 1,82 | 2,61 | mm <sup>2</sup> WIRE |
|-----------------|------------|------|------|------|------|------|----------------------|
| 51511-16S-12TXX | 7          |      |      |      |      |      |                      |
| 51511-16S-20TXX | RED        | 7    | 7    | 7    | 8    |      |                      |
| 51511-16S-26TXX |            |      |      |      |      | 8    |                      |
| 51513-16S-12TXX | 7          |      |      |      |      |      |                      |
| 51513-16S-20TXX | BLUE       | 7    | 7    | 7    | 8    |      |                      |
| 51513-16S-26TXX |            |      |      |      |      | 8    |                      |

USE WITH FT8 TOOL



| POSITIONER COLOR | HOLE DIMENSIONS | ADDITIONAL FEATURES |
|------------------|-----------------|---------------------|
| RED              | Ø.067<br>±.833  | □ Ø.166<br>±.45     |
| BLUE             | Ø.129<br>±.835  | □ Ø.166<br>±.45     |
| SILVER           |                 |                     |

HOLE AND COUNTERBORE DEPTHS ARE MEASURED FROM TOP OF POSITIONER INSERTS.



1 RANDOM ORDER OF ROTATION IS ACCEPTABLE.

| REVISIONS |               |                    |                    |
|-----------|---------------|--------------------|--------------------|
| REV.      | E.C.O. NUMBER | DESCRIPTION        | BY DATE APP'D DATE |
| 1         |               | ORIGINAL RELEASE   | JM/06 1/24/06 RRR  |
| 2         |               | MODIFIED DATAPLATE | TD/08 2-14-08 RRR  |

**UNCONTROLLED DOCUMENT  
WILL NOT BE UPDATED**

|   |              |   |   |
|---|--------------|---|---|
| <b>RESTRICTED &amp; CONFIDENTIAL</b>  |              | CONFIDENTIAL PROPERTY OF DANIELS MANUFACTURING CORP. THIS DRAWING IS NOT TO BE REPRODUCED OR USED FOR ANY OTHER PURPOSE EXCEPT AS AUTHORIZED IN WRITING BY DANIELS MANUFACTURING. MUST BE RETURNED TO DANIELS MANUFACTURING CORP. ON COMPLETION OF ORDER OR OTHER PURPOSE FOR WHICH LENT. |   |
| ITEM  | PART NO.     | QTY.  | DESCRIPTION/REMARKS                                     |
| DRN. 1  | J. JOYCE     | 1/24/06   | DANIELS MANUFACTURING CORP. ORLANDO, FLORIDA CASE 11851 |
| CHK'D. RRR  | DATE 1/24/06 |   |   |
| APP'D. DATE   | DATE         |   |   |
| APP'D. DATE   | DATE         |   |   |
| NOTE: THIS DRAWING IS AN OUTLINE DRAWING OF THE RESPECTIVE INDIC PART NUMBER. PART NUMBER IS DRAWING NUMBER WITHOUT THE "ENV" SUFFIX. |              | WHERE USED: AFB<br><b>DMO</b><br>ENVELOPE DRAWING<br>TURRET HEAD  |   |
| DO NOT SCALE DRAWING  |              | CAD P/N   | SHEET 1 OF 1  |
|   |              | TH685-ENV   | REV. 1  |
|   |              | TH685-ENV   | REV. 2  |