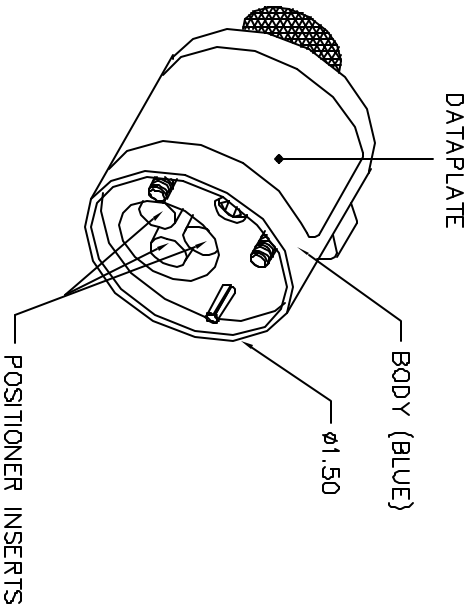


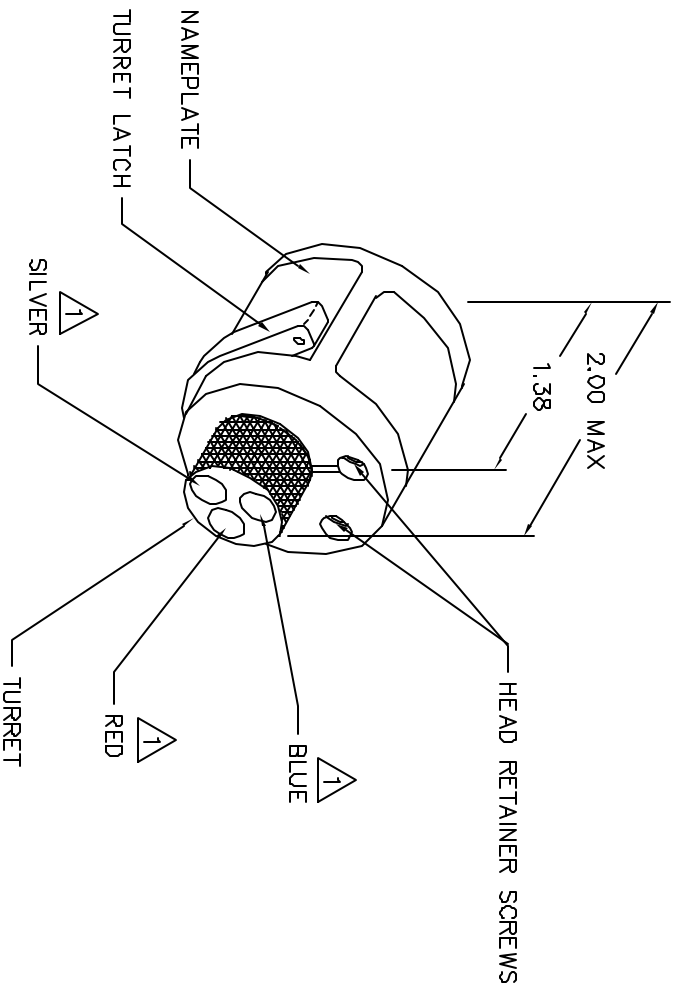
REVISIONS				
REV. NO.	E.C.D. NUMBER	DESCRIPTION	BY DATE	APP'D DATE
1		ORIGINAL RELEASE	RAM 10-18-04	RRR 10-18-04

**UNCONTROLLED DOCUMENT  
WILL NOT BE UPDATED**

INTERCONTEC	COLOR CODE	0,75	1	2.5	WIRE mm2
60.003.11	RED	5	6	8	
60.001.11	BLUE	4	5		SELECTOR NUMBER



POSITIONER COLOR	HOLE DIMENSIONS	ADDITIONAL FEATURES
RED	$\phi .152$ $\pm .486$	
BLUE	$\phi .084$ $\pm .274$	



△ 1 RANDOM ORDER OF ROTATION IS ACCEPTABLE.

\* HOLE AND COUNTERBORE DEPTHS ARE MEASURED FROM TOP OF POSITIONER INSERTS.

<b>RESTRICTED &amp; CONFIDENTIAL</b>		CONFIDENTIAL PROPERTY OF DANIELS MANUFACTURING CORP. NOT TO BE DISCLOSED TO OTHERS. REPRODUCED EXCEPT AS AUTHORIZED IN WRITING BY DANIELS MANUFACTURING. MUST BE RETURNED TO DANIELS MANUFACTURING CORP. ON COMPLETION OF ORDER OR OTHER PURPOSE FOR WHICH LENT.	
ITEM	PART NO.	QTY.	DESCRIPTION/REMARKS
DRG. N. 100-10406	DATE 10-18-04		
DRHS	RRR	DATE 10-18-04	
APFD	DATE		
APFD	DATE		
NOTE: THIS DRAWING IS AN OUTLINE DRAWING OF THE RESPECTIVE PART NUMBER IS NOT TO BE USED FOR MANUFACTURING WITHOUT THE -ENV SUFFIX.			
TITLE		ENV P/N	
ENVELOPE DRAWING		TH672-ENV	
TURRET HEAD		TH672-ENV	
SIZE	SCALE	SHEET	OF
B	NTS	1	1
POSTING		DATE	REV.
		10-18-04	1

DO NOT SCALE DRAWING