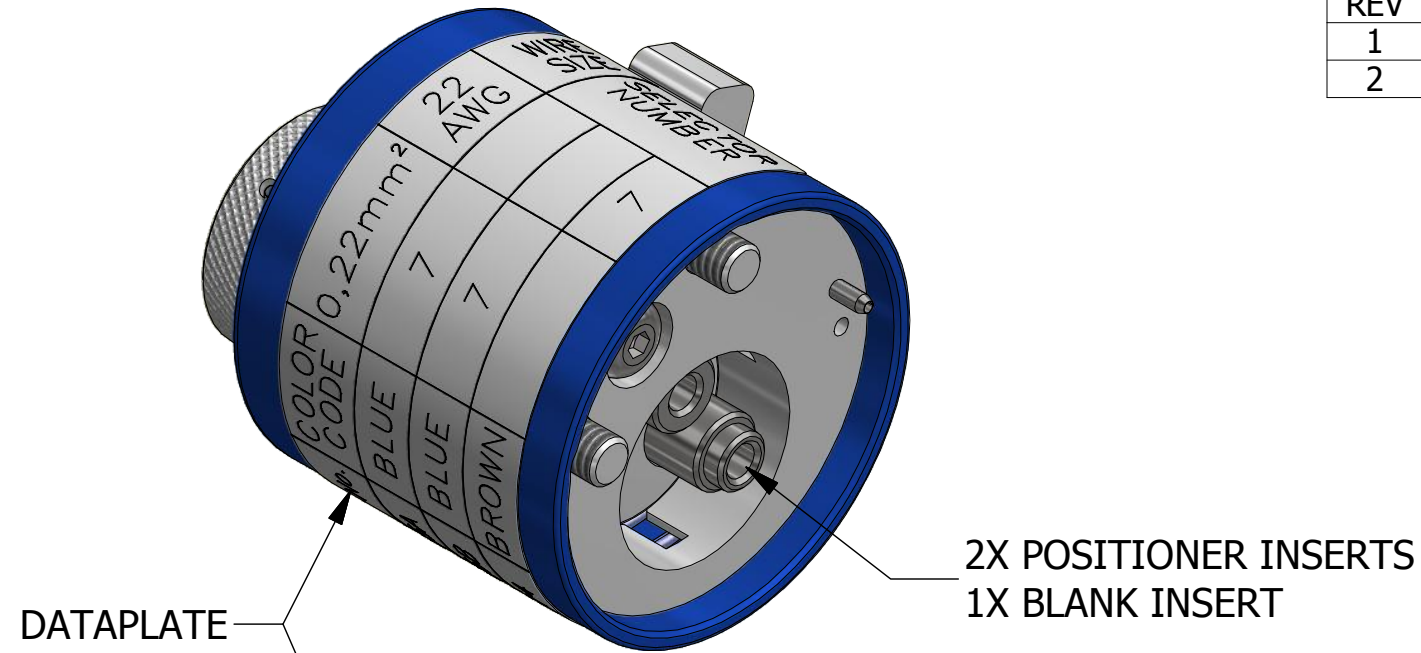


REVISIONS						
REV	ECO NO.	DESCRIPTION	BY	DATE	APP'D BY	DATE
1	18977	ORIGINAL RELEASE	AAM	7/28/2003	RRR	7/28/2003
2	23736	BROWN INSERT COLOR WAS RED	TonyD	3/17/2015		

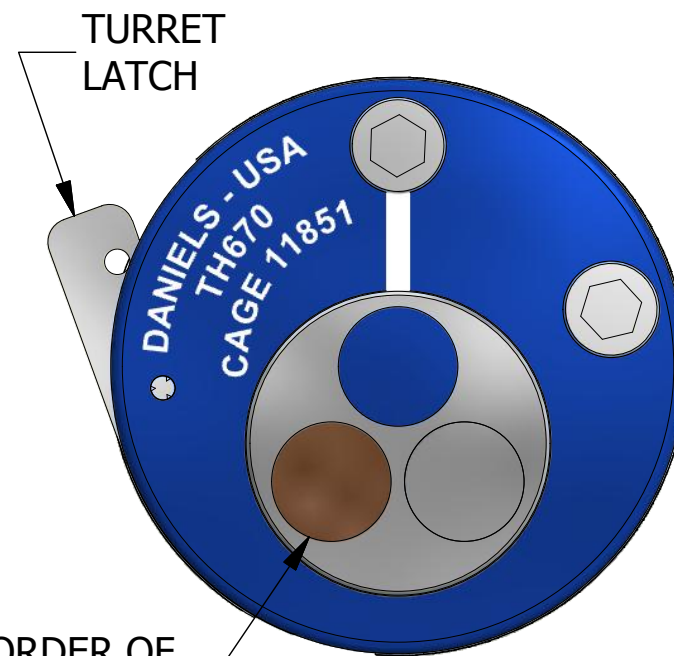
**UNCONTROLLED DOCUMENT
WILL NOT BE UPDATED**

DIMENSIONS IN INCHES - UNLESS OTHERWISE SPECIFIED

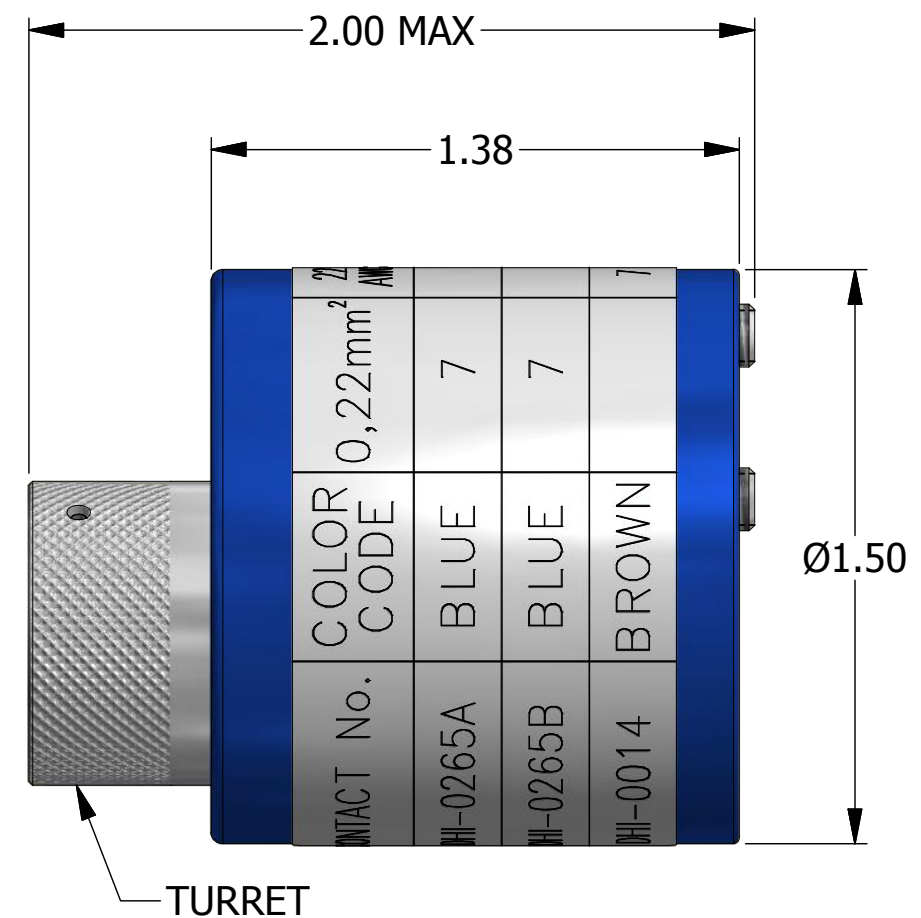


CONTACT No.	COLOR CODE	0,22mm ²	22 AWG	WIRE SIZE	SELECTOR NUMBER
DHI-0265A	BLUE	7			
DHI-0265B	BLUE	7			
DHI-0014	BROWN		7		

INSERT COLOR	HOLE DIMENSIONS	ADDITIONAL FEATURES
BLUE	Ø.118 ▽.295	
BROWN	Ø.118 ▽.422	
SILVER		BLANK



RANDOM ORDER OF ROTATION IS ACCEPTABLE FOR POSITIONER INSERTS



RESTRICTED & CONFIDENTIAL

CONFIDENTIAL PROPERTY OF DANIELS MANUFACTURING CORP. NOT TO BE DISCLOSED TO OTHERS. REPRODUCTION OR USED FOR ANY OTHER PURPOSE EXCEPT AS AUTHORIZED IN WRITING BY DANIELS MANUFACTURING. MUST BE RETURNED TO DANIELS MANUFACTURING CORP. ON COMPLETION OF ORDER OR PURPOSES FOR WHICH LENT.

CREATED FROM AN INVENTOR MODEL.
CHANGES MUST BE REFLECTED IN THE 3D PART

DO NOT SCALE DRAWING

MATERIAL	ITEM	PART NO.	QTY.	DESCRIPTION / REMARKS
N/A	DRN. A. MOO-YOUNG CHK'D.	DATE 7/28/2003 DATE		DMC DANIELS MANUFACTURING CORP. ORLANDO, FLORIDA CAGE 11851
HEAT TREAT	NOTE: THIS DRAWING IS AN OUTLINE DRAWING OF THE RESPECTIVE DMC PART NUMBER INDICATED. ACTUAL DMC PART NUMBER IS CAD PART NUMBER WITHOUT THE "-ENV" SUFFIX		TITLE TURRET HEAD ENVELOPE DRAWING	
FINISH	WHERE USED: AF8		SIZE	CAD P/N
N/A	SCALE 2 : 1		SHEET TH670-ENV 1 OF 1	
			DWG. NO. TH670	
			REV. 2	