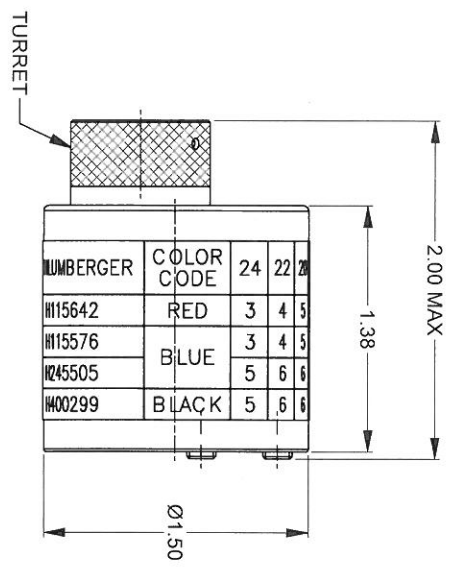


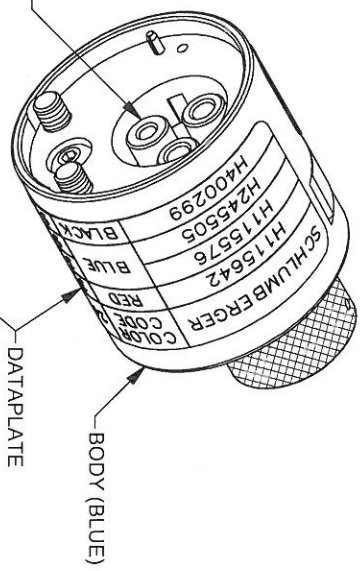
△ RANDOM ORDER OF ROTATION IS ACCEPTABLE



REVISIONS			
REV NUMBER	ECO SYM	DESCRIPTION	BY DATE
1	22210	ORIGINAL RELEASE	TJD 06-23-11
2	22263	DATAPLATE CHANGE	TJD 06-22-11
3	22705	DATAPLATE CHANGE	TJD 11-05-12

**UNCONTROLLED DOCUMENT
WILL NOT BE UPDATED**

DIMENSIONS IN INCHES - UNLESS OTHERWISE SPECIFIED



SCHLUMBERGER	COLOR CODE	24	22	20	WIRE SIZE
H115642	RED	3	4	5	SELECTOR NO.
H115576	BLUE	3	4	5	
H245505	BLUE	5	6	6	
H400299	BLACK	5	6	6	

INSERT COLOR	HOLE DIMENSIONS	ADDITIONAL FEATURES
RED	Ø.067 ▽THRU	└┐Ø.104 ▽.095
BLUE	Ø.133 ▽.480	
BLACK	Ø.138 ▽.614	

RESTRICTED & CONFIDENTIAL

COMPENSATED PROPERTY OF DANIELS MANUFACTURING CORP. NOT TO BE DISCLOSED TO OTHERS, REPRODUCED OR USED FOR ANY OTHER PURPOSE WITHOUT THE WRITTEN PERMISSION OF DANIELS MANUFACTURING CORP. ON COMPLETION OF ORDER OR OTHER APPROPRIATE FOR WHICH LIST.

CREATED FROM AN INVENTOR MODEL. CHANGES MUST BE REFLECTED IN THE 3D PART DO NOT SCALE DRAWING

ITEM	PART No.	QTY.	DESCRIPTION/REMARKS
TDR GARY BILMOWITZ 06-23-11			
CHKD GARY BILMOWITZ DATE			
APPRD DATE			
APPRD DATE			

NOTE:
THIS DRAWING IS AN OUTLINE DRAWING OF THE RESPECTIVE PART NUMBER IS DRAWING NUMBER WITHOUT THE "-EN" SUFFIX

WHERE USED: AF8

**TURRET HEAD
ENVELOPE DRAWING**

SIZE	SCALE	CAD P/N	SHEET OF
B	1.5X	TH650-ENV	11
		TH650-ENV	11

PN: TH650-ENV

REV: 3

NOTE: FOR USE WITH DANIELS CRIMP TOOLS ACCOMODATING "TH" SERIES POSITIONERS