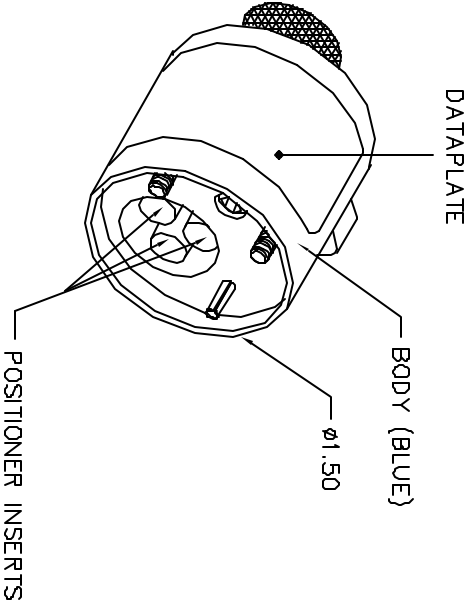


REVISIONS				
REV. SYM.	E.C.D. NUMBER	DESCRIPTION	BY DATE	APP'D DATE
1		ORIGINAL RELEASE	RAM 12-5-02	RRR 12-5-02

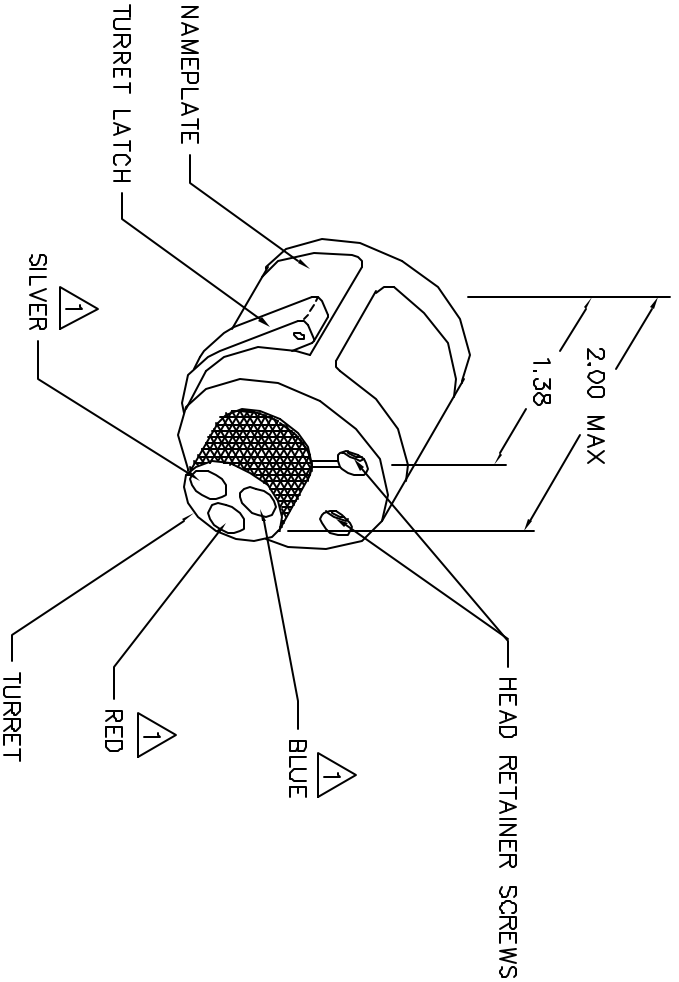
**UNCONTROLLED DOCUMENT
WILL NOT BE UPDATED**

INTERCONNECTOR CONTACTS	COLOR CODE	22	20	18	16	14	WIRE SIZE
020.256.1020	RED	3	4	5			SEL. NO.
020.331.1020	BLUE			6	7	8	



POSITIONER COLOR	HOLE DIMENSIONS	ADDITIONAL FEATURES
RED	Ø.080 T.287	
BLUE	Ø.156 T.529	
SILVER		

HOLE AND COUNTERBORE DEPTHS ARE MEASURED FROM TOP OF POSITIONER INSERTS.



1 RANDOM ORDER OF ROTATION IS ACCEPTABLE.

RESTRICTED & CONFIDENTIAL		COMPROMISE PROPERTY OF DANIELS MANUFACTURING CORP. NOT TO BE DISCLOSED TO OTHERS, REPRODUCED OR USED FOR ANY OTHER PURPOSE, EXCEPT AS AUTHORIZED IN WRITING BY DANIELS MANUFACTURING. MUST BE RETURNED TO DANIELS MANUFACTURING UPON REQUESTION OF WHICH THE PURPOSE FOR WHICH LEFT.	
ITEM	PART NO.	QTY.	DESCRIPTION/REMARKS
DRG. N. 100-10418	DATE 12-5-02		
DRG'S. RRR	DATE 12-5-02		
APFD'S	DATE		
APFD'S	DATE		
TITLE		ENVLOPE DRAWING TURRET HEAD	
WHERE USED: AFB		CAD P/N: TH648-ENV	
SIZE SCALE: B NTS		DWG NO.: TH64B-ENV	
POSTING:		SHEET 1 OF 1	
		REV. 1	