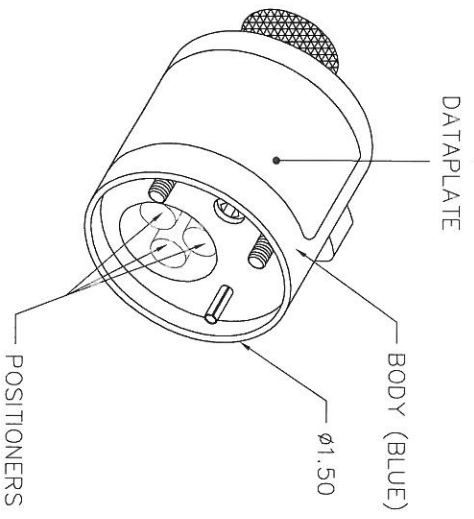
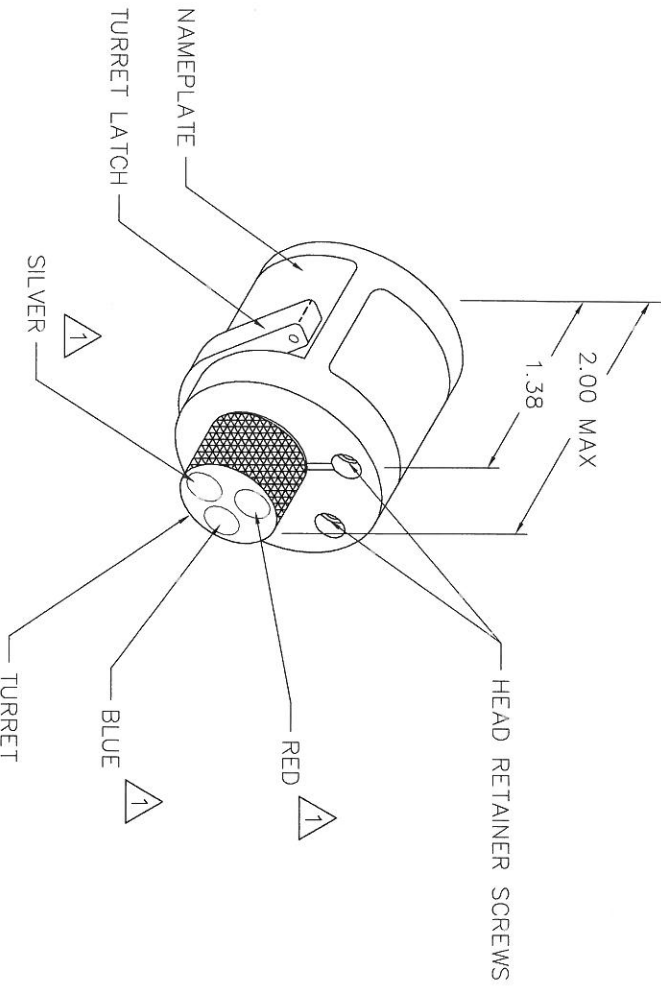


ALDEN CONTACTS	COLOR CODE	20	18	16	WIRE SIZE
PA-06PFI	BLUE	6	6	6	SELECTOR NUMBER
CS-06PFI	RED				



POSITIONER COLOR	HOLE DIMENSIONS	ADDITIONAL FEATURES
RED	Ø.116 ±.0053	Ø.129 ±.070
BLUE	Ø.110 ±.0054	
SILVER		

HOLE DEPTH DIMENSIONS ARE MEASURED FROM THE TOP OF THE POSITIONER INSERTS.



1 RANDOM ORDER OF ROTATION IS ACCEPTABLE.

**UNCONTROLLED DOCUMENT
WILL NOT BE UPDATED**
DIMENSIONS IN INCHES - UNLESS OTHERWISE SPECIFIED

REVISIONS			
REV. SYM.	E.C.O. NUMBER	DESCRIPTION	BY DATE
1		ORIGINAL RELEASE	12-4-13

RESTRICTED & CONFIDENTIAL
 CONFIDENTIAL PROPERTY OF DANIELS MANUFACTURING CORP. NOT TO BE DISCLOSED TO OTHERS, REPRODUCED OR USED FOR ANY OTHER PURPOSE, EXCEPT AS AUTHORIZED IN WRITING BY DANIELS MANUFACTURING. MUST BE RETURNED TO DANIELS MANUFACTURING CORP. ON COMPLETION OF ORDER OR FOR PURPOSE FOR WHICH LENT.

ITEM	PART NO.	QTY.	DESCRIPTION/REMARKS
DWG. DATE	12-4-13		
CHK'D. DATE			
APPRD. DATE			
APPRD. DATE			

NOTE: THIS DRAWING IS AN OUTLINE DRAWING OF THE RESPECTIVE PART NUMBER IS DRAWING NUMBER WITHOUT THE "-ENV" SUFFIX.

WHERE USED: AFB

SIZE SCALE POSTING: B NTS

CAD P/N: TH625-ENV

DWG. NO.: TH625-ENV

SHEET OF: 1

REV: 1

DO NOT SCALE DRAWING

Daniel's Manufacturing Corp.
 DANIELS MANUFACTURING CORP.
 ORLANDO, FLORIDA
 CAGE 11851

ENVELOPE DRAWING
 TURRET HEAD