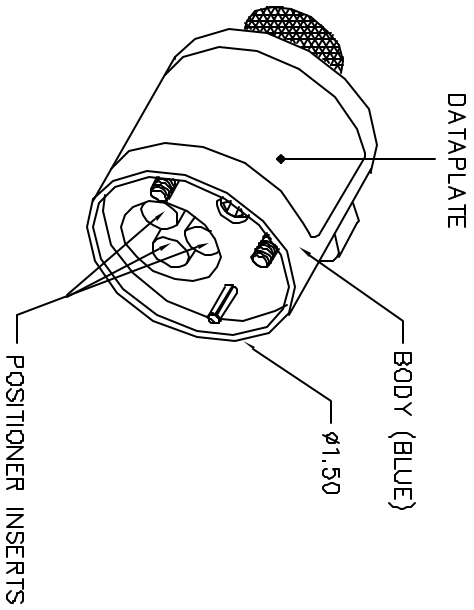


REVISIONS			
REV. NO.	DESCRIPTION	DATE	APP'D.
1	ORIGINAL RELEASE	8/4/05	RRR

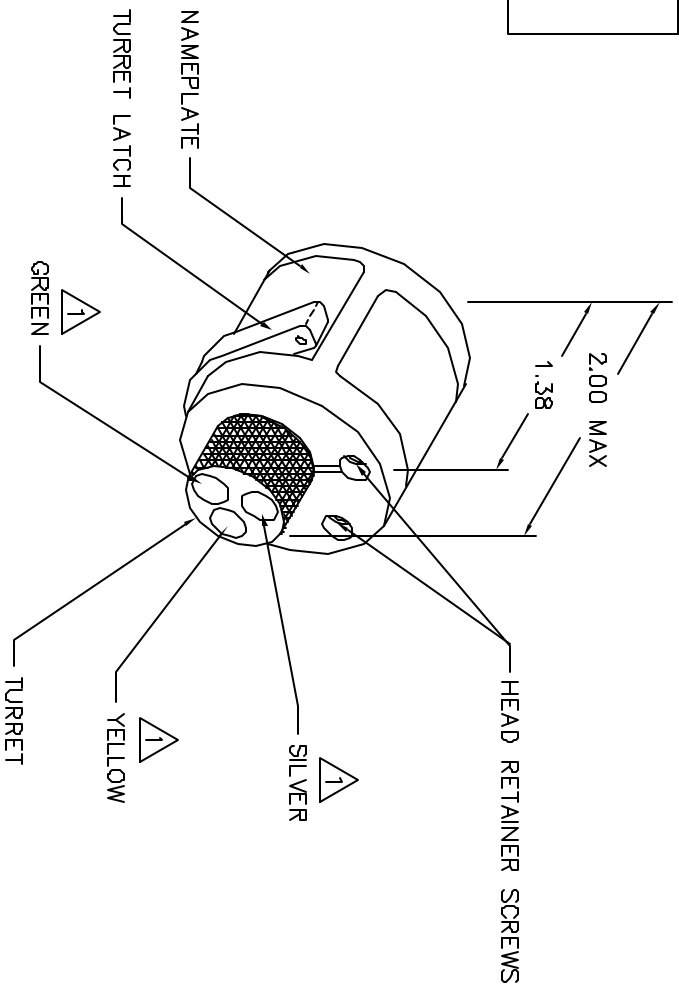
**UNCONTROLLED DOCUMENT  
WILL NOT BE UPDATED**

ALDEN CONTACTS	COLOR CODE	26	24	22	WIRE SIZE
PA-03PFI	GREEN	1	2	3	SELECTOR NUMBER
CS-03PFI	YELLOW				



POSITIONER COLOR	HOLE DIMENSIONS	ADDITIONAL FEATURES
GREEN	Ø.067 T.554	
YELLOW	Ø.086 T.563	
SILVER		

HOLE AND COUNTERBORE DEPTHS ARE MEASURED FROM TOP OF POSITIONER INSERTS.



<b>RESTRICTED &amp; CONFIDENTIAL</b>		CONFIDENTIAL PROPERTY OF DANIELS MANUFACTURING CORP. NOT TO BE DISCLOSED TO OTHERS, REPRODUCED OR TRANSMITTED IN ANY FORM OR BY ANY MEANS, WITHOUT THE EXPRESS WRITTEN PERMISSION OF DANIELS MANUFACTURING CORP. ON COMPLETION OF ORDER OR OTHER PURPOSE FOR WHICH SENT.	
ITEM NO.	PART NO.	QTY.	DESCRIPTION/REMARKS
DRN	DATE		
CHK'D BY	DATE		
APPR'D BY	DATE		
<p><b>NOTE:</b> THIS DRAWING IS AN OUTLINE DRAWING OF THE RESPECTIVE PART NUMBER IS DRAWING NUMBER WITHOUT THE "-ENV" SUFFIX</p> <p>WHERE USED: AFB</p> <p><b>DMC</b> DANIELS MANUFACTURING CORP. ORLANDO, FLORIDA GAGE 11851</p> <p>TURRET HEAD ENVELOPE DRAWING</p>			
SIZE	SCALE	TRAD P/N	SHEET OF
B	NTS	TH624-ENV	1
PORTRNG		TH624-ENV	1

DO NOT SCALE DRAWING