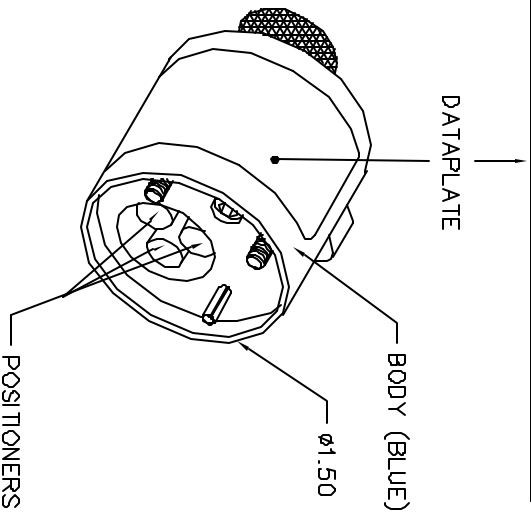
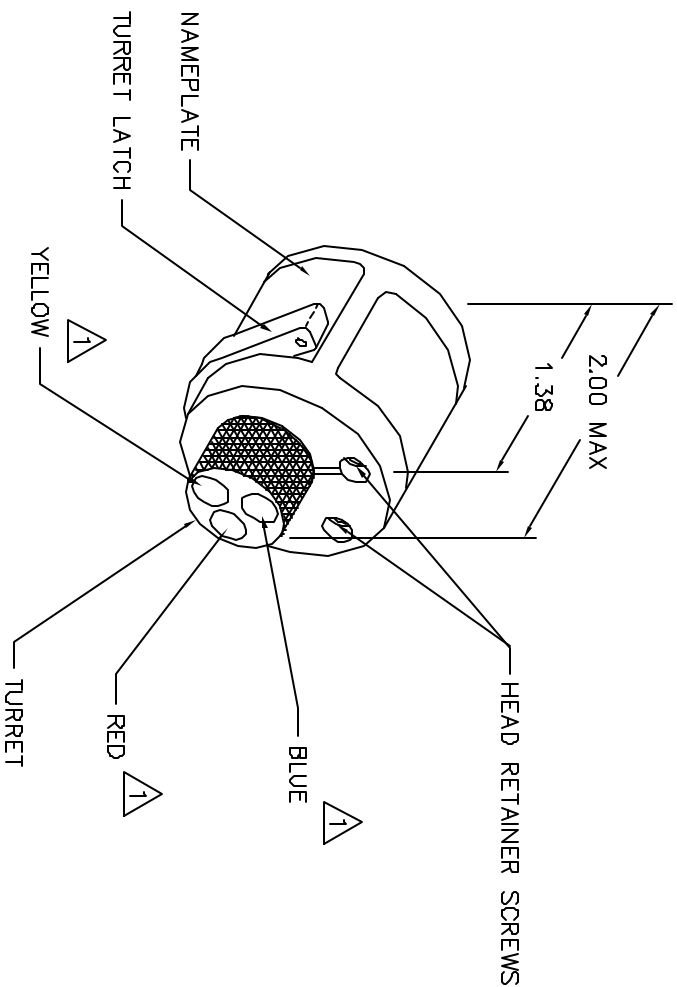


SCHLUMBERGER	COLOR CODE
E031422, E037812, E037823, E038462	RED
H222776, H222777, H222794, H222795	BLUE
SEE CHART EH720500	YELLOW



POSITIONER COLOR	* HOLE DIMENSIONS	ADDITIONAL FEATURES
RED	$\phi .076$ $\nabla .284$	
BLUE	$\phi .125$ $\nabla .858$	
YELLOW	$\phi .125$ $\nabla .501$	

* HOLE DEPTH DIMENSIONS ARE MEASURED FROM THE TOP OF THE POSITIONER INSERTS.



1 RANDOM ORDER OF ROTATION IS ACCEPTABLE.

REV'S		DESCRIPTION		DT	APP'D
NO.	DATE	BY	DATE	DATE	DATE
1				3-23-00	3-23-00

**UNCONTROLLED DOCUMENT
WILL NOT BE UPDATED**

RESTRICTED & CONFIDENTIAL		CONFIDENTIAL PROPERTY OF DANIEL'S MANUFACTURING CORP. NOT TO BE DISCLOSED TO OTHERS, REPRODUCED OR USED FOR ANY OTHER PURPOSE EXCEPT AS AUTHORIZED IN WRITING. MUST BE RETURNED TO DANIEL'S MANUFACTURING CORP. ON COMPLETION OF ORDER OR OTHER PURPOSE FOR WHICH LENT.	
ITEM NO.	PART NO.	QTY.	DESCRIPTION/REMARKS
DATE: 8-12-00	DATE: 5-23-00		
CHK'D: M. MIDD-YOUNG	CHK'D: RRR		
APPR'D:	APPR'D:		
TITLE: ENVELOPE DRAWING TURRET HEAD		WHERE USED: APR	
SIZE: B	SCALE: NTS	TAID P/N: TH623-ENV	SHEET 1 OF 1
DO NOT SCALE DRAWING		P/N: TH623-ENV	REV: 1

Daniel's Manufacturing Corp.
ORLANDO, FLORIDA
GADE 11851