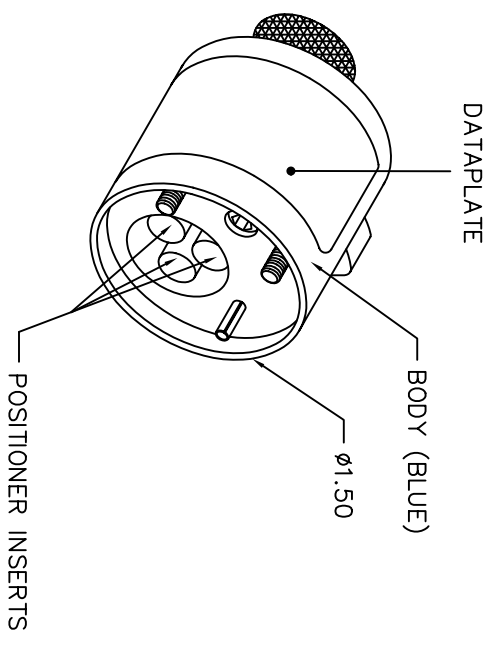


REVISIONS				
REV. STYL.	E.C.O. NUMBER	DESCRIPTION	BY DATE	APP'D DATE
1		ORIGINAL RELEASE	JMM 6/5/03	RRR 6/5/03

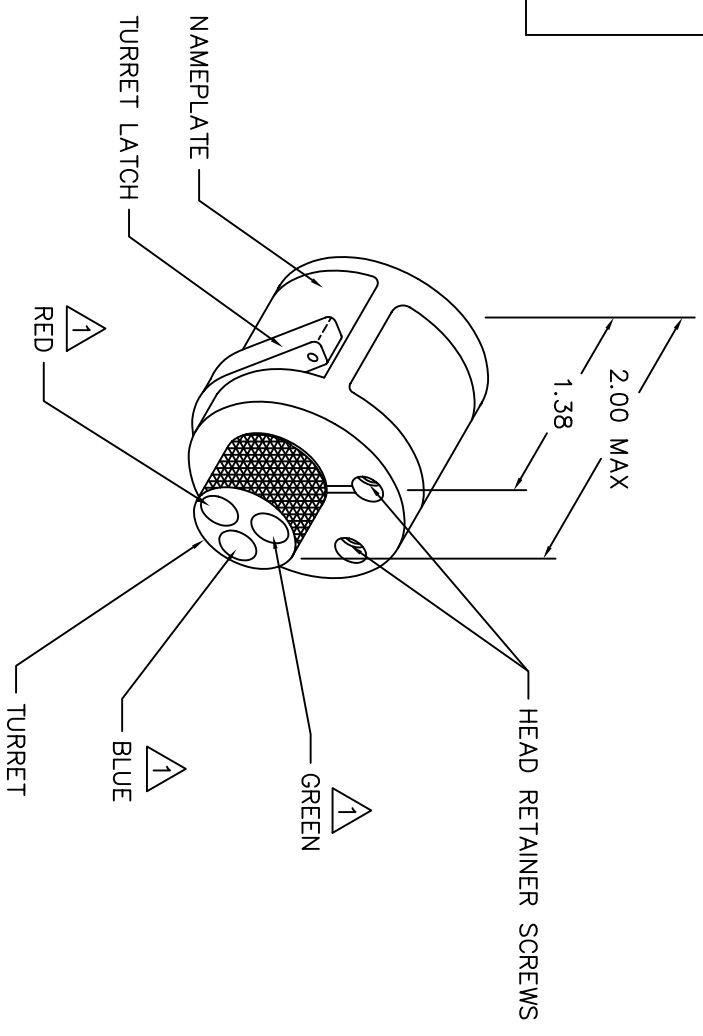
**UNCONTROLLED DOCUMENT
WILL NOT BE UPDATED**

SURE SEAL CONTACTS	COLOR CODE	22	20	18	16	14	12	WIRE SIZE
031-8703-052 330-8672-005	RED	3	4	5				SELECTOR NUMBER
031-8703-051 330-8672-003	BLUE			6	7	8		
031-8703-054 330-8672-008						7	7	
031-8703-055 330-8672-009	GREEN		5	6	7			
030-2323-002				5	6	6		



POSITIONER COLOR	HOLE DIMENSIONS	ADDITIONAL FEATURES
RED	ϕ .109 \pm .591	
BLUE	ϕ .145 \pm .84 MIN.	\sqsubset ϕ .161 \pm .082
GREEN	ϕ .088 \pm .84 MIN	\sqsubset ϕ .165 \pm .212

HOLE AND COUNTERBORE DEPTHS ARE MEASURED FROM TOP OF POSITIONER INSERTS.



$\triangle 1$ RANDOM ORDER OF ROTATION IS ACCEPTABLE.

RESTRICTED & CONFIDENTIAL		CONFIDENTIAL PROPERTY OF DANIELS MANUFACTURING CORP. NOT TO BE DISCLOSED OR REPRODUCED WITHOUT WRITTEN PERMISSION EXCEPT AS AUTHORIZED IN WRITING BY DANIELS MANUFACTURING. MUST BE RETURNED TO DANIELS MANUFACTURING CORP. ON COMPLETION OF ORDER OR OTHER PURPOSE FOR WHICH LENT.	
ITEM	PART NO.	QTY.	DESCRIPTION/REMARKS
DRWL. 1. JOYCE	DATE 6/5/03		DANIELS MANUFACTURING CORP. ORLANDO, FLORIDA CAGE 11851
CHK'D. RRR	DATE 6/5/03		
APP'D.	DATE		
APP'D.	DATE		
NOTE: THIS DRAWING IS AN OUTLINE DRAWING OF THE RESPECTIVE DIM. PART NUMBER. INDICATED PART NUMBER IS DRAWING PART NUMBER WITHOUT THE "-ENV" SUFFIX.			
DO NOT SCALE DRAWING		WHERE USED: AFB	CAD P/N TH620-ENV
		SIZE B	SCALE NTS
		POSTING	DWG. NO. TH620-ENV
			SHEET OF 1
			REV. 1